



## CPX Varastosäiliö kartiopohjalla 2000L

Height including stand: 2560 mm Height excluding stand:  
2135 mm. For liquids up to density 1,85.

Art.nr: 18015

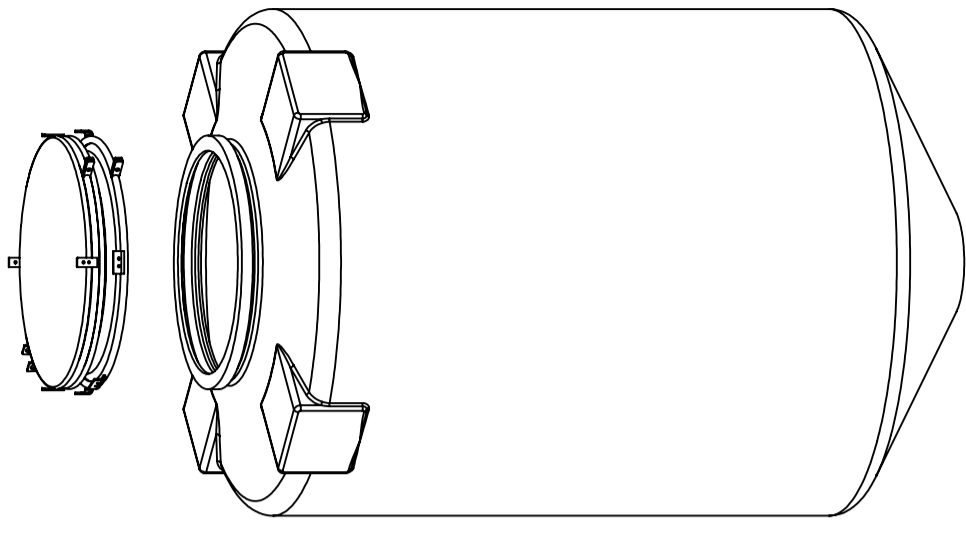
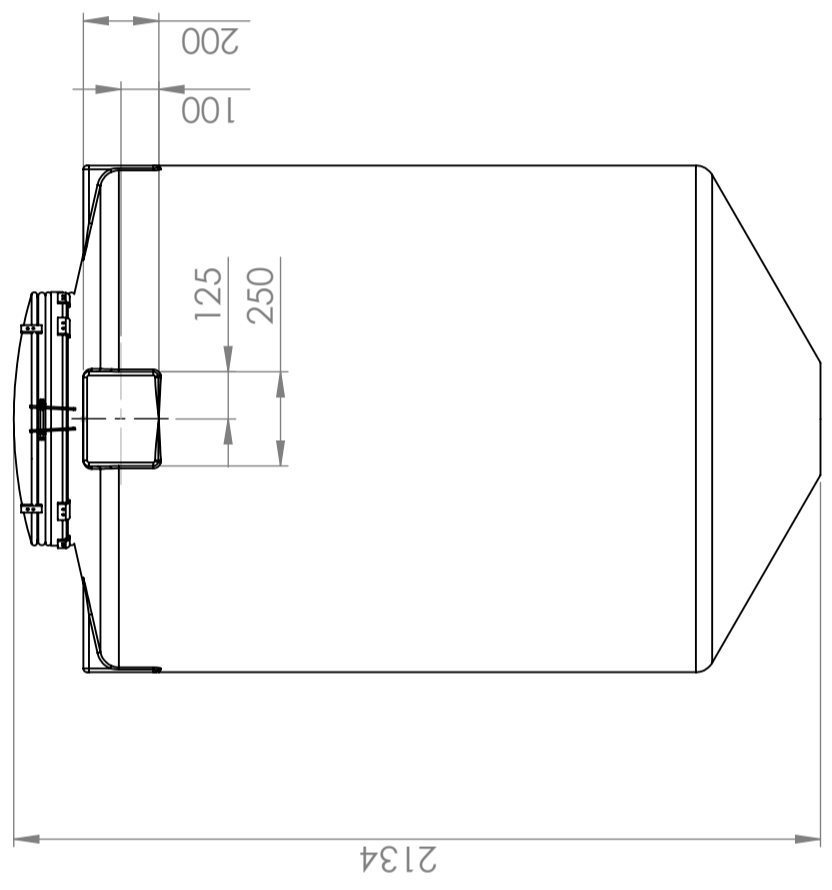
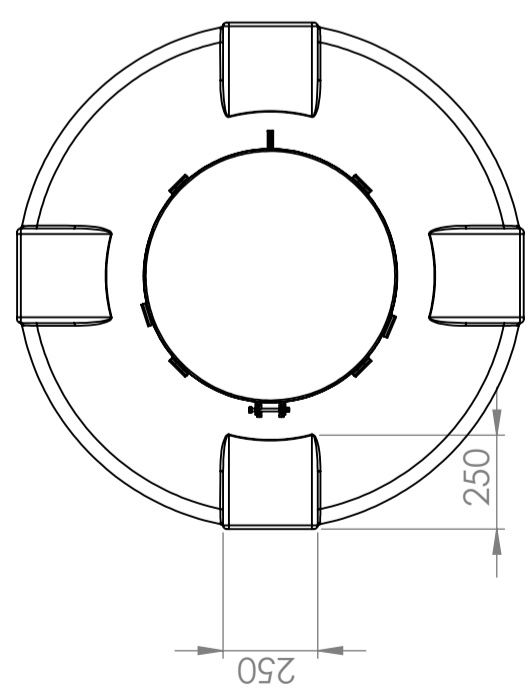
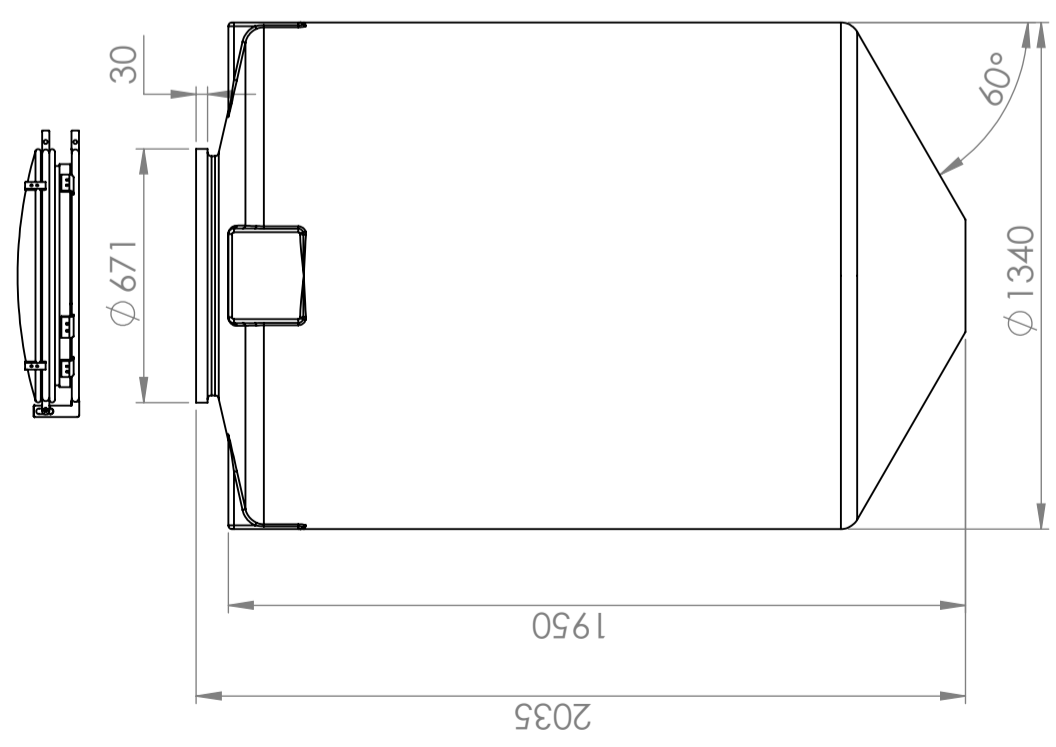
### Tekniset tiedot

Pohjan muoto	Kartiomainen
Tilavuus (L)	2000
Korkeus (mm)	2134
Halkaisija (mm)	1340
Paino (kg)	65
Tiheyspitoisuus (max kg/l)	1,85

Kierrätys



This drawing and design is the property of CIPAX. Copying and distribution of the drawing or any contents is prohibited without written permission from authorised personnel at CIPAX.



"Manhole requires 800 mm space to open fully. Compared to maximum height"

REVISIONS				
ZONE	REV.	DESCRIPTION	DATE	APPROVED
	A	Made a new drawing and updated views. M.P	29.04.2013	

Constructed by - date	Approved by - date	General Tolerances	Material	Finish, Ra	View	Scale
M.P 29.04.2013		NS-ISO 2768-1	LDPE	grit 120		1:20
Owner	Title/Description		Revision		Sheet size	Sheet
	1226641		2000 L centric		A3	1(1)
	Drawing number		Revision			
	630 - 34		A			

Generelle toleranser om ikke annet oppgitt på tegning	Tilatte avvik for måleområdet. Gjelder ved +20° C
General tolerances if not other stated on drawing	Permissible deviations for basic length size range. Valid +20° C
0-20	>75-150
±0.5mm	±1mm
	±1.5mm
	±1.3%
	±1%
	>300

