



## CPX Varastosäiliö kartiopohjalla 5000L

Height including stand: 3200 mm. Height excluding stand:  
2720 mm. For liquids up to density 1,85

Art.nr: 18016

### Tekniset tiedot

Pohjan muoto	Kartiomainen
Tilavuus (L)	5000
Korkeus (mm)	2395
Halkaisija (mm)	1800
Paino (kg)	170
Tiheyspitoisuus (max kg/l)	1,85

Kierrätys

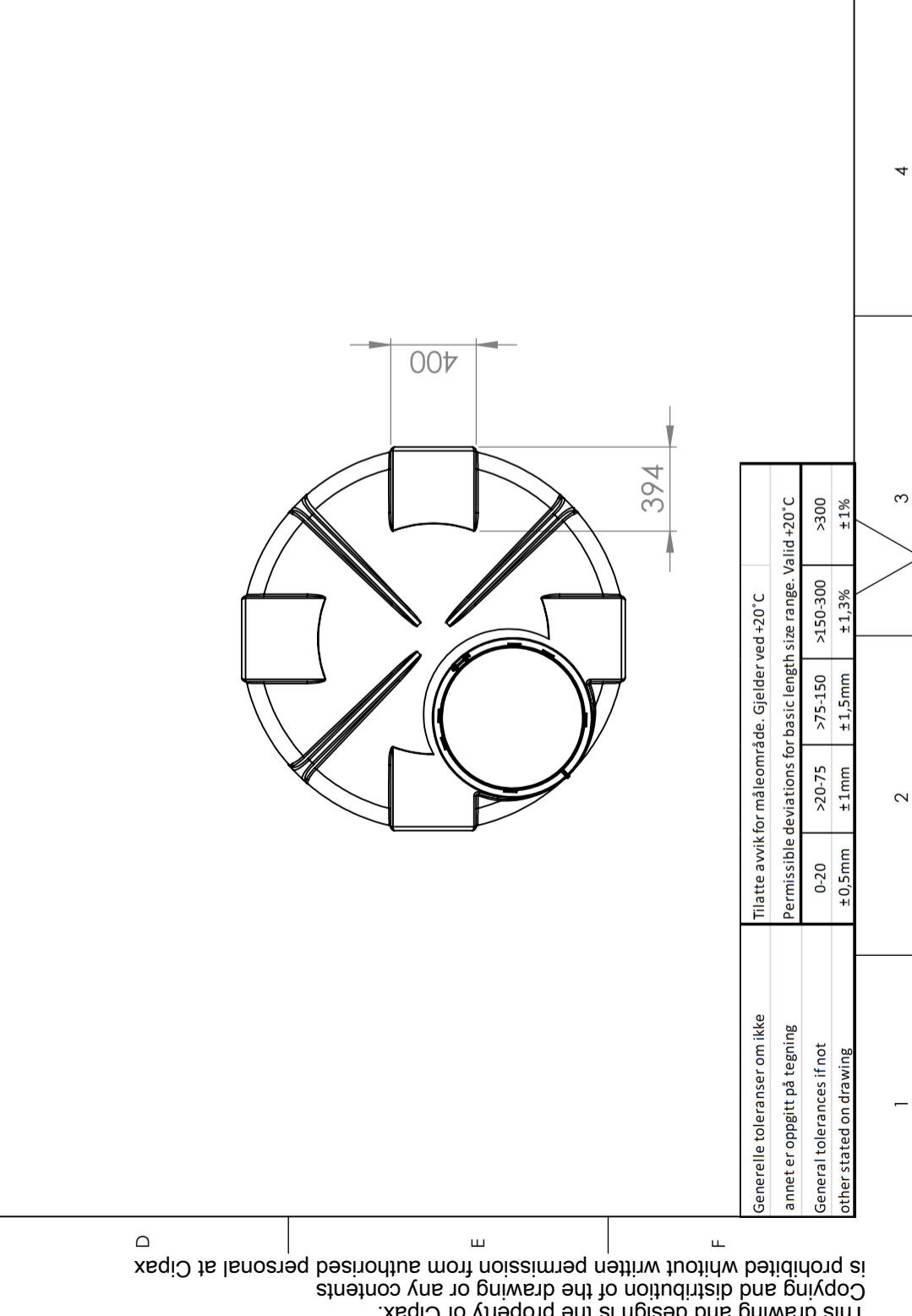
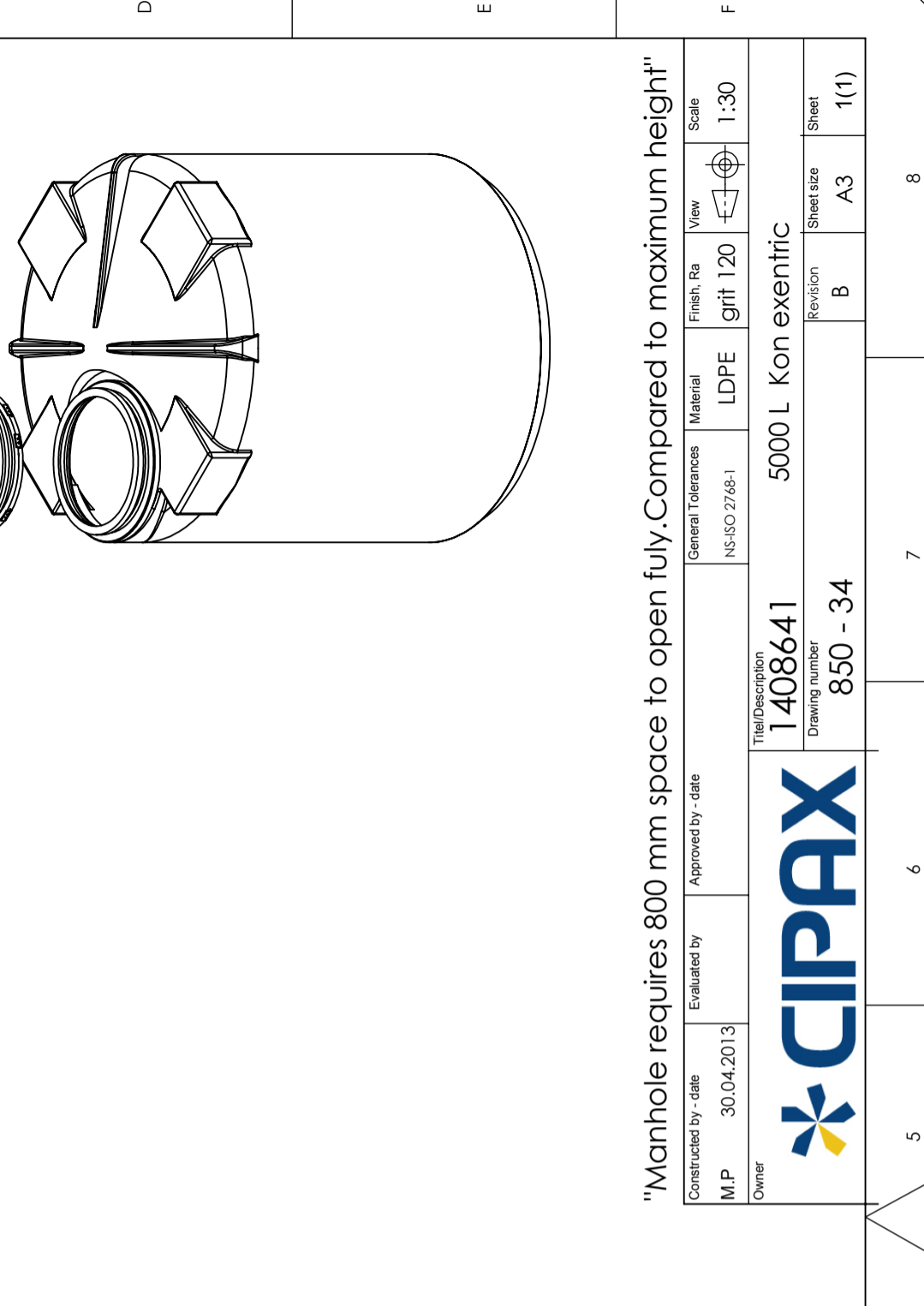
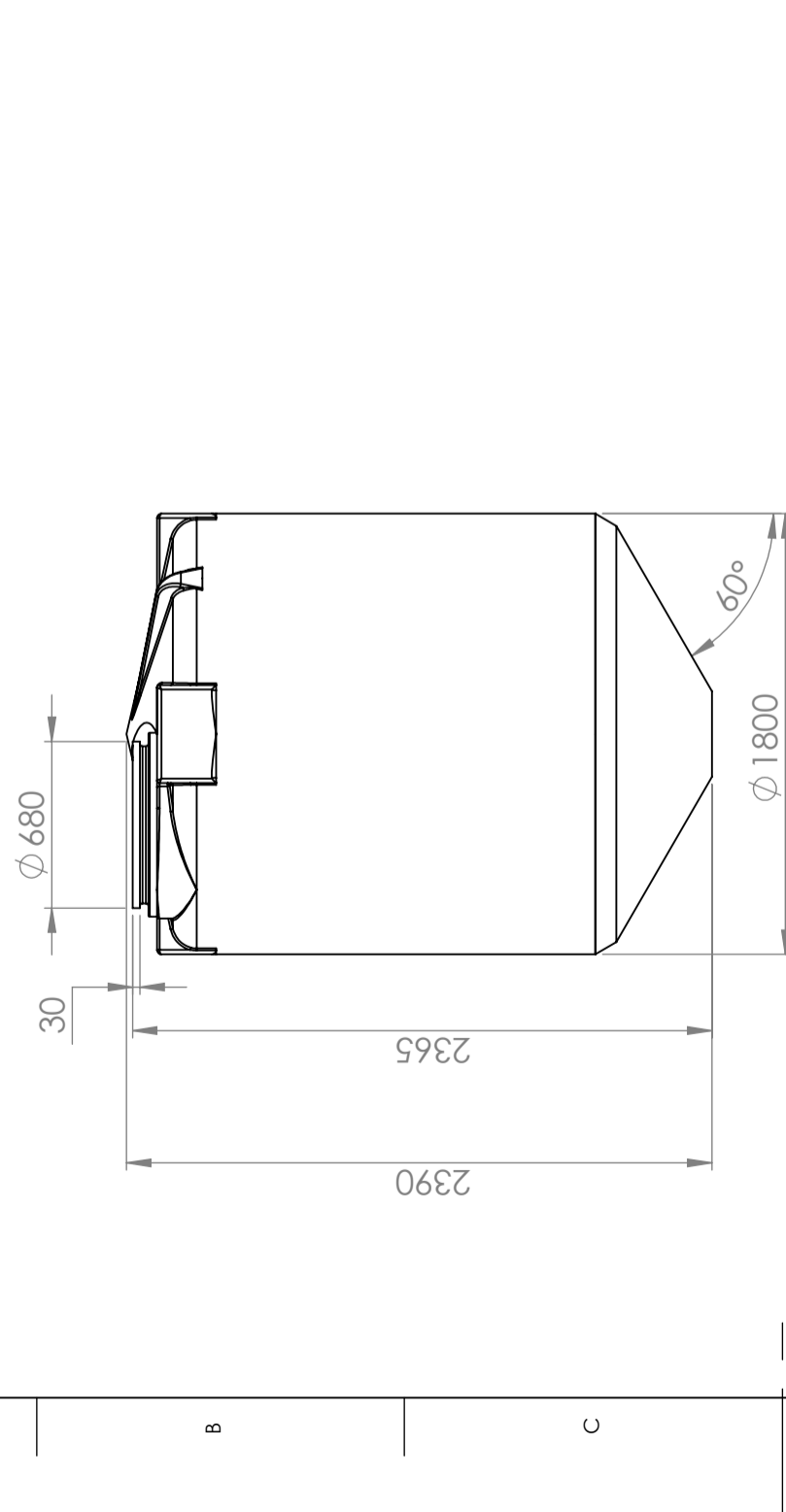
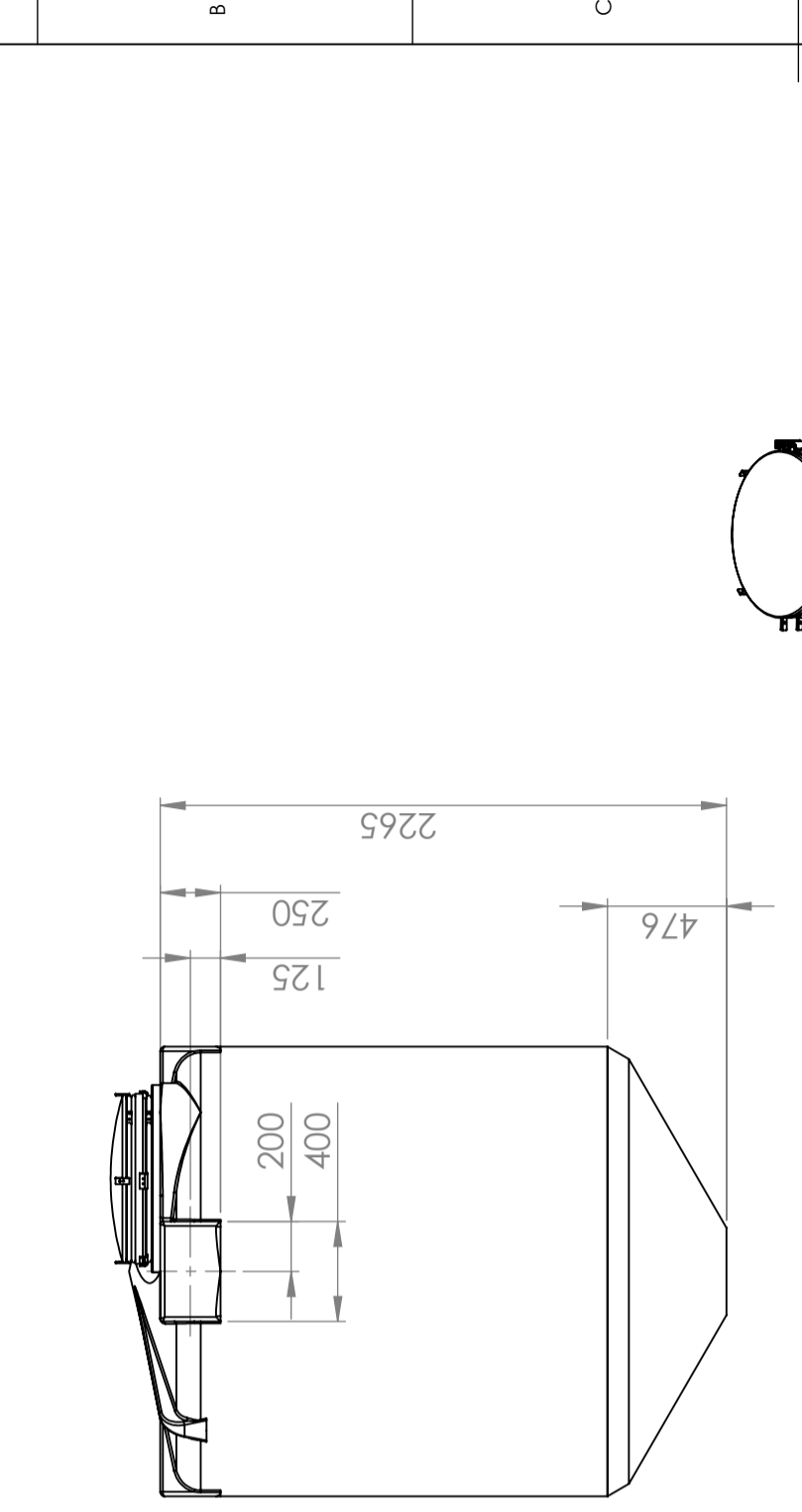


1 2 3 4 5 6 7 8

A B C D E F

ZONE	REV.	DESCRIPTION	DATE	APPROVED
A	A	Renamed part to 1408641. Made a new drawing and updated views. M.P	30.04.2013	

REVISIONS



"Manhole requires 800 mm space to open fully. Compared to maximum height"

Constructed by - date	Approved by - date	General Tolerances	Material	Finish, Ra	View	Scale
M.P 30.04.2013		NS-ISO 2768-1	LDPE	grit 120		1:30
Owner	Title/Description		Drawing number		Revision	Sheet
	1408641		5000 L Kon exentric		B	1(1)
	850 - 34				A3	



Generelle toleranser om ikke anner oppgitt på tegning	Tilatte avvik for måleområdet. Gjelder ved +20°C			
General tolerances if not other stated on drawing	Permissible deviations for basic length size range. Valid +20°C			
0-20	>20-75	>75-150	>150-300	>300
±0.5mm	±1mm	±1.5mm	±1.3%	±1%

This drawing and design is the property of CIPAX. Copying and distribution of the drawing or any contents is prohibited without written permission from authorised personal at CIPAX