


CPX Mooring bouy MB 60L red incl rod

De ankerboei heeft een buitenmantel van slagvast polyethyleen dat is gevuld met freonvrij polystyreenschuim. Gatdiameter 60 mm.

Art.nr.: 30063



| Specificaties | |
|------------------|---|
| Materiaal | PE |
| Kleur | Oranje |
| Inhoud (L) | 60 |
| Hoogte (mm) | 330 |
| Diameter (mm) | 580 |
| Gatdiameter (mm) | 60 |
| Gewicht (kg) | 9 |
| Recycling |  HDPE |

Eigenschappen



Aanpasbaar



Recyclebaar



Breed
temperatuurber
eik:

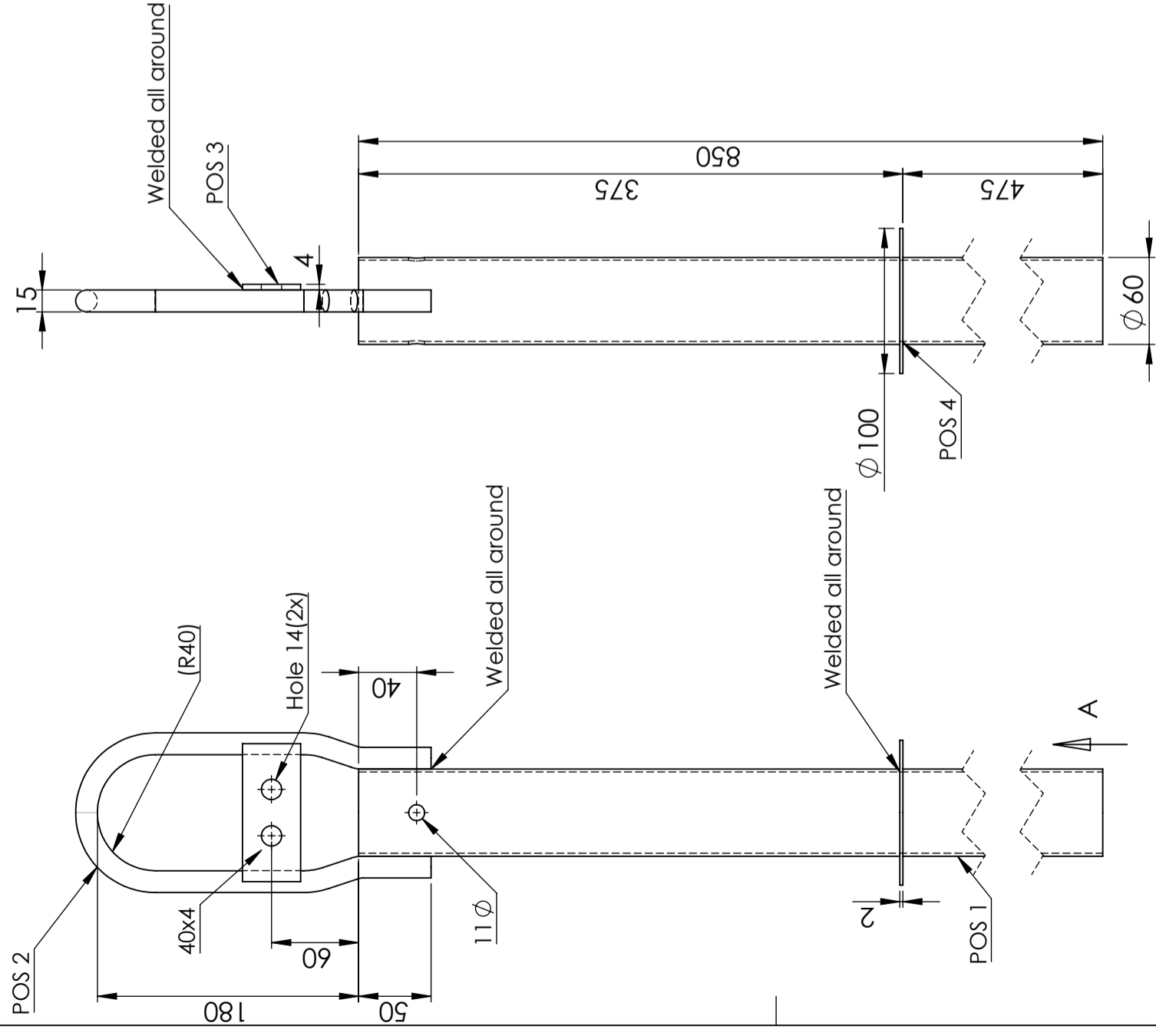


Aangepast voor
eten



Makkelijk
schoon te
maken

| | | | |
|----------|------------------|------|----------|
| Revision | Reason of change | Date | Approved |
| | | | |



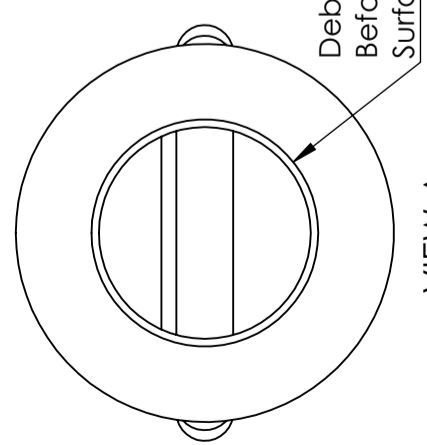
- POS 1
tube Material: EN 10305-3 (DIN 2394). t: 2 mm
- POS 2
rod Material: EN 10125 Fe 360B. ϕ 15
- POS 3
Plate Material: EN 10125 FE 360B. t: 4 mm
- POS 4
Plate Material: EN 10130 FeP01. t: 2 mm

Coating: Fe/Zn 115 ISO 1461.

DETAIL C
SCALE 1 : 2 SECTION B-B

The bolt / nut / washer shall be assembled on each bouyrod

| A | B | C |
|---------------------------------|--------------------|-----------------------------------|
| Bolt ISO 4014 DIN 931 FZV | NUT DIN 985 FZV | Washer 30x30x3 S4B FZV DIN 436 |
| M10 x 80 62357 | 1 | M10 Nyloc 62355 |
| 1 | 1 | 62364 |
| QTY | QTY | QTY |
| 1 | 1 | 2 |



This drawing and design is the property of CIPax. Copying and distribution of the drawing or any contents is prohibited without written permission from authorised personal at CIPax

| | | | | | | | |
|-------------|---------------------|--------------------|---------------------------------|----------------------------|---------------|-------|--|
| Designed by | Inspected by | Approved by - Date | General tolerance SS-ISO 2768-1 | General surface finish, Ra | View position | Scale | |
| | | - | G | G | | 1:10 | |
| Owner | Title/Name | | | | | | |
| | Bojten 62210 60 LIT | | | | | | |
| | Drawing Number | | | | | | |
| | 62210 | | | | | | |
| | Edition | Page | | | | | |
| | A | 1(1) | | | | | |

