



CPX Opslagtank 10000L Conische Bodem

De tank heeft een met een O-ring afgedicht mangat van 600 mm dat met een gelakte pijpsteun aan de tank is bevestigd. Op de bovenkant van de tank en op het onderste manteloppervlak van de tank zijn er vier vlakke montageoppervlakken. De conische (30 graden) centrale uitlaat kan bijvoorbeeld worden voorzien van schroefdraad- of flensverbindingen. De tank is helemaal compleet met een epoxygelakt of zuurbestendig statief en geschikte aansluitingen. Voor eigen gewicht 1,2 of 1,85.

Art.nr.: 18018

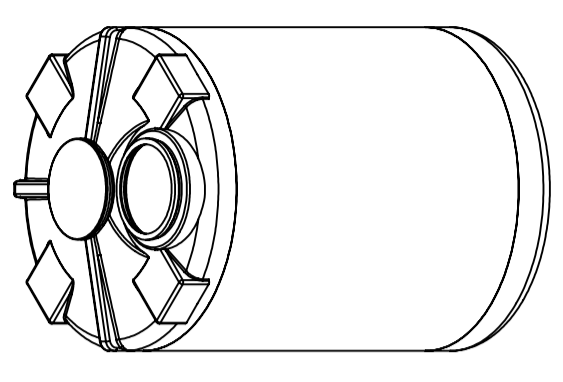
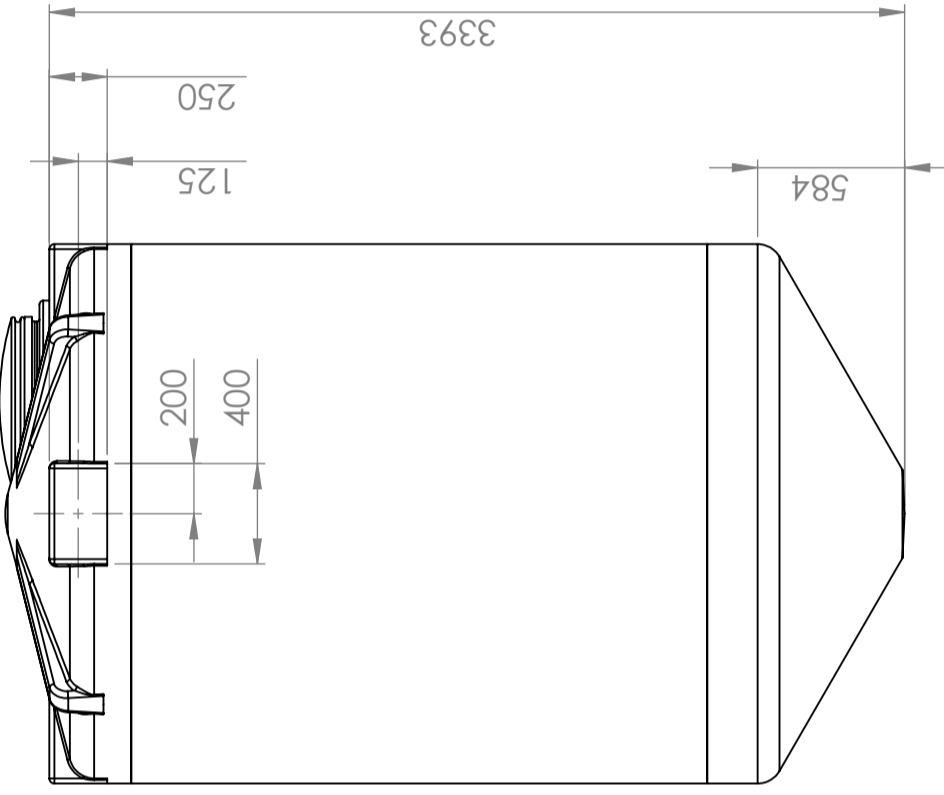
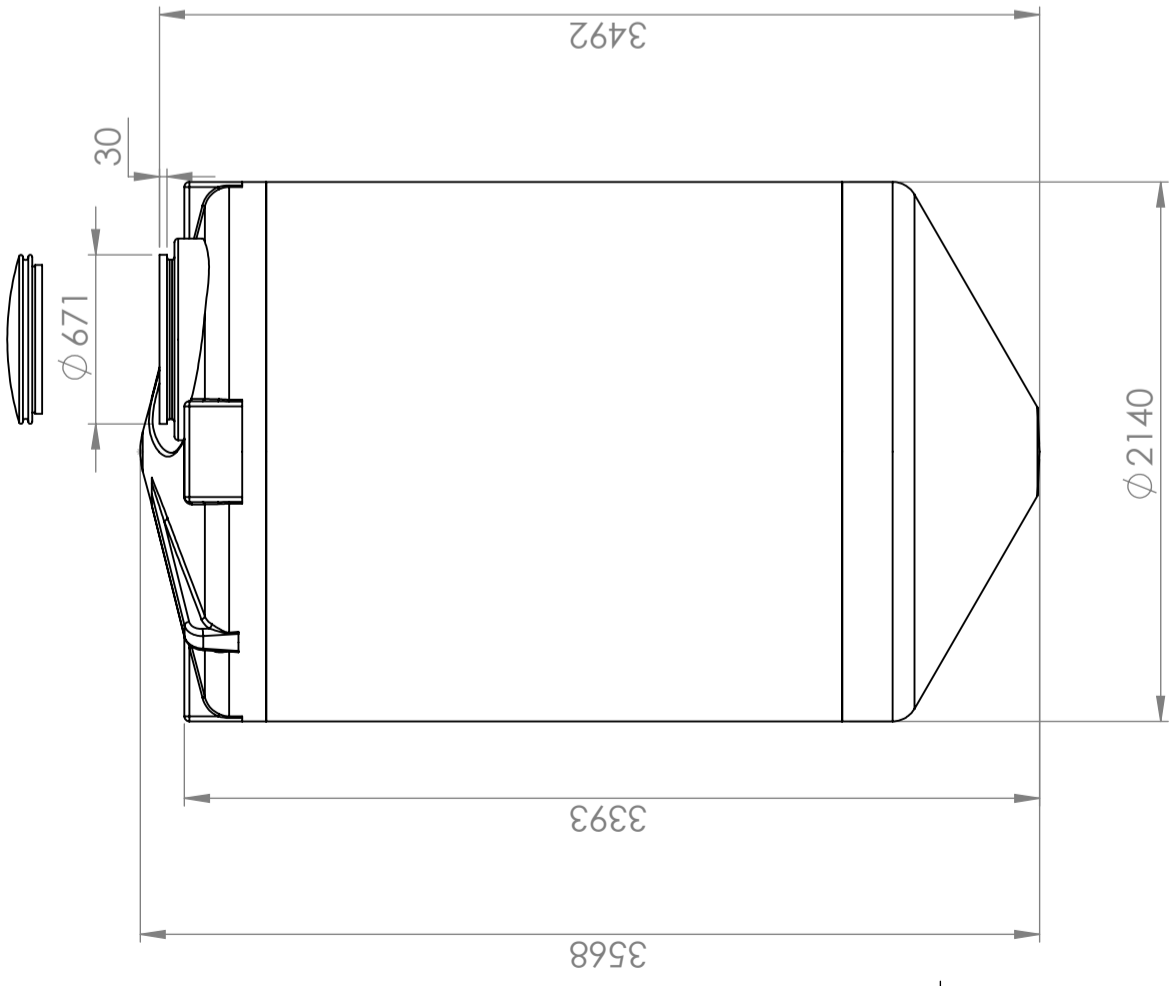
Specificaties

Bodem	Conisch
Inhoud (L)	10000
Hoogte (mm)	3568
Diameter (mm)	2140
Dichtheid inhoud (max kg/l)	1,2

Recycling



This drawing and design is the property of CIPAX. Copying and distribution of the drawing or any contents is prohibited without written permission from authorised personnel at CIPAX



"Manhole requires 800 mm space to open fully. Compared to maximum height"

Generelle toleranser om ikke annet oppgitt på tegning	Tilatte avvik for måleområdet. Gjelder ved +20° C			
General tolerances if not other stated on drawing	Permissible deviations for basic length size range. Valid +20° C			
	0-20	>20-75	>75-150	>150-300
	±0.5mm	±1mm	±1.5mm	±1.3%
				±1%

Constructed by - date
 M.P 22.04.2013

Evaluated by
 Approved by - date

General Tolerances
 NS-ISO 2768-1

Material
 LDPE

Finish, Ra
 grit 120

View

Scale
 1:30

Owner
 M.P

Title/Description
 1225741
 Drawing number
 627 - 34

10000 L Kon excentric

Revision
 A

Sheet size
 A3

Sheet
 1(2)



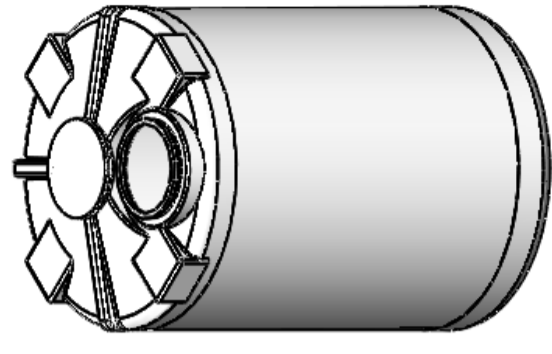
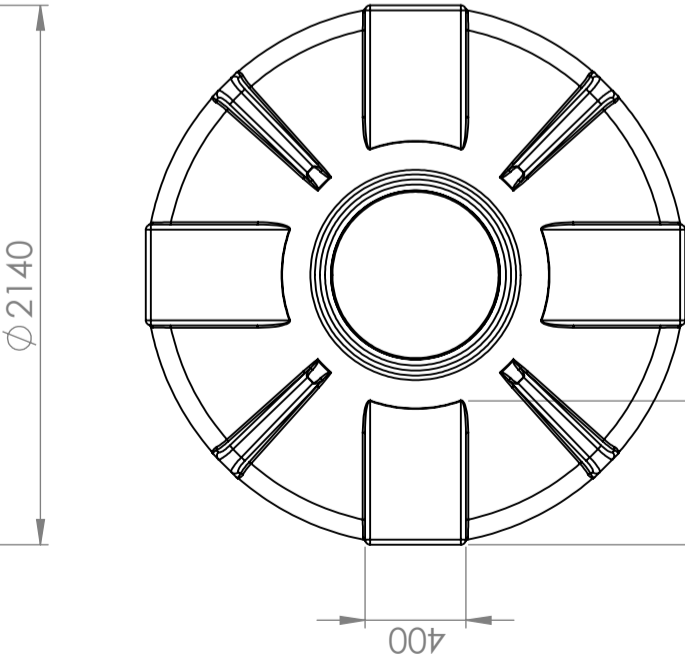
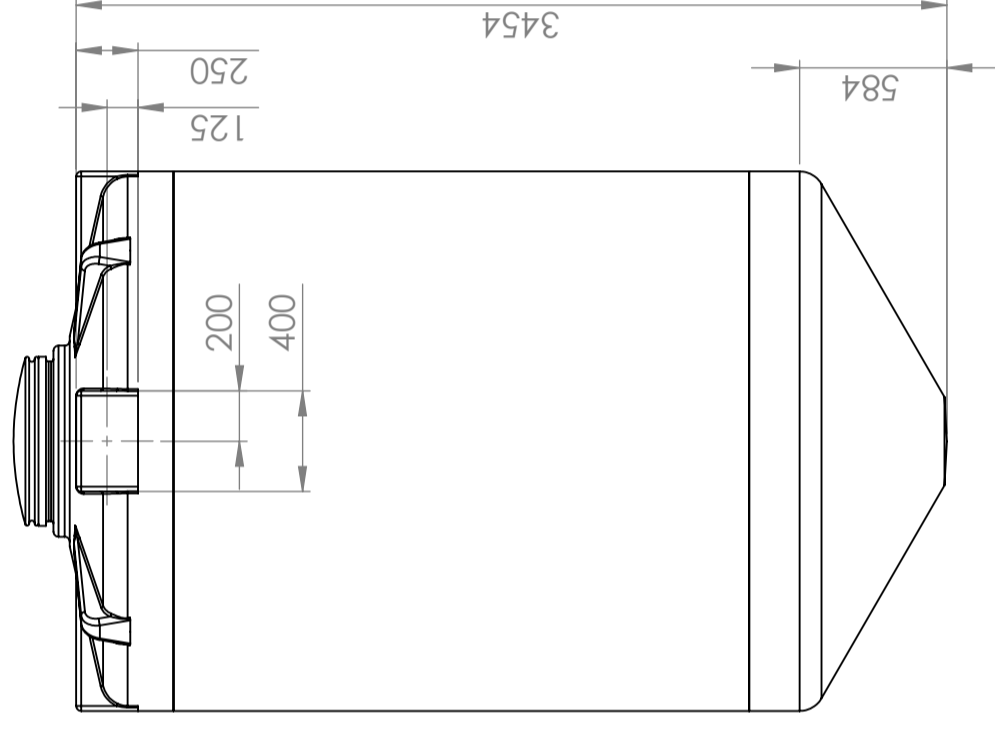
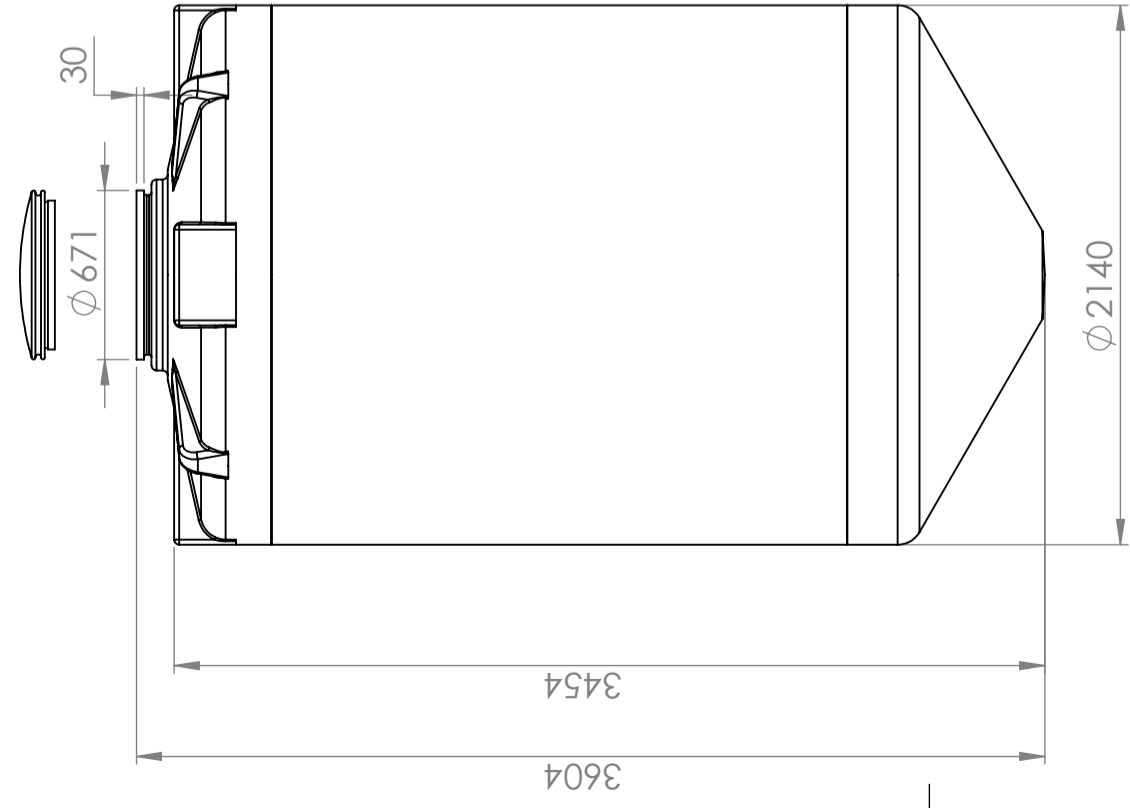
REVISIONS			
ZONE	REV.	DESCRIPTION	DATE
A	A	Renamed part to 1225741. Made a new drawing and updated views. M.P	22.04.2013

APPROVED

1 2 3 4 5 6 7 8

A B C D E F

1 2 3 4 5 6 7 8



"Manhole requires 800 mm space to open fully. Compared to maximum height"

REVISIONS				
ZONE	REV.	DESCRIPTION	DATE	APPROVED
-	A	Renamed part to 1225741. Made a new drawing and updated views. M.P	22.04.2013	-

Constructed by - date	Approved by - date	General Tolerances	Material	Finish, Ra	View	Scale
M.P 22.04.2013		NS-ISO 2768-1	LDPE	grit 120		1:30
Owner	Title/Description		10000 L Kon center			
	1225741		Drawing number			
	627 - 34		Revision			
			A			
			A3			
			2(2)			



Generelle toleranser om ikke annet oppgitt på tegning	Tilatte avvik for måleområde. Gjelder ved +20° C		
General tolerances if not other stated on drawing	Permissible deviations for basic length size range. Valid +20° C		
	0-20	>20-75	>75-150
	±0.5mm	±1mm	±1.5mm
		±1.3%	±1.3%
			±1%

This drawing and design is the property of CIPAX. Copying and distribution of the drawing or any contents is prohibited without written permission from authorised personal at CIPAX.