



CPX Beholder 10000 liter sylindrisk

Høyde inklusive stativ: 3970 mm Høyde eksklusiv stativ:
3600 mm. For væsker med densitet opptil 1,2.
Suppleres med stativ 60386.

Art.nr: 18018

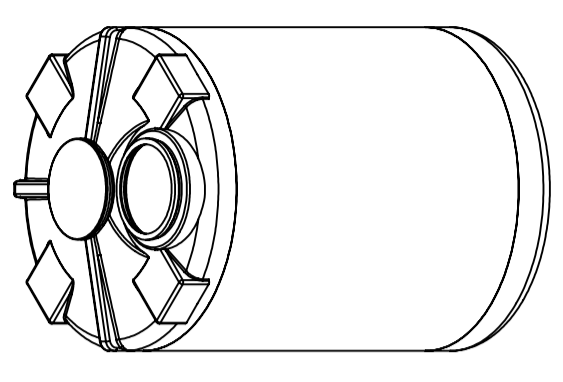
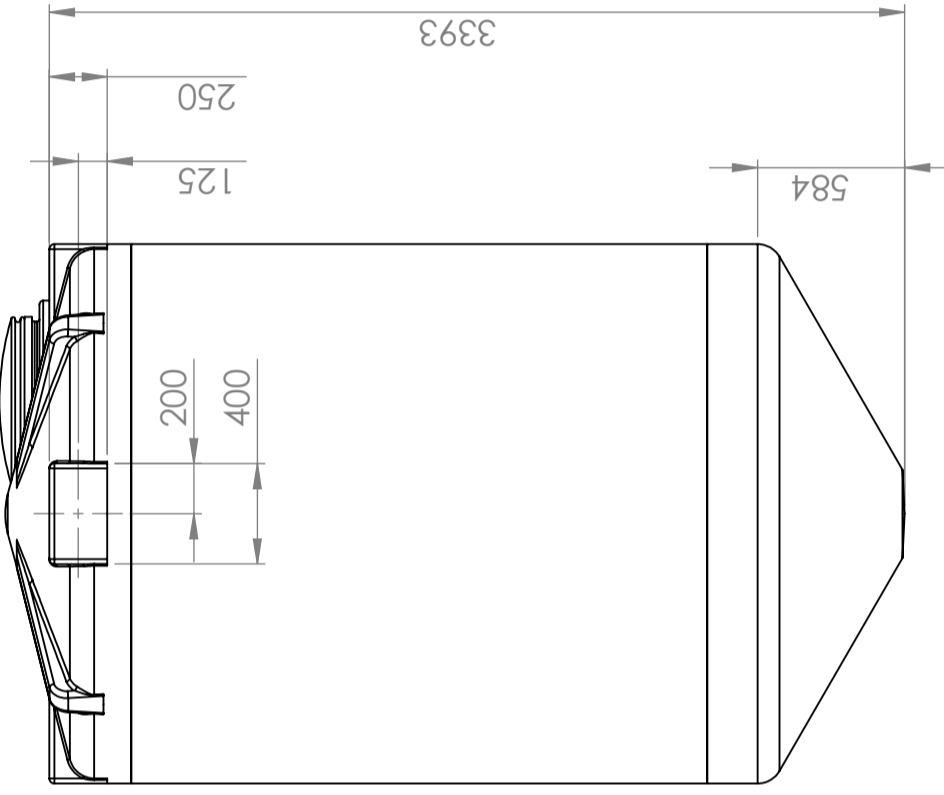
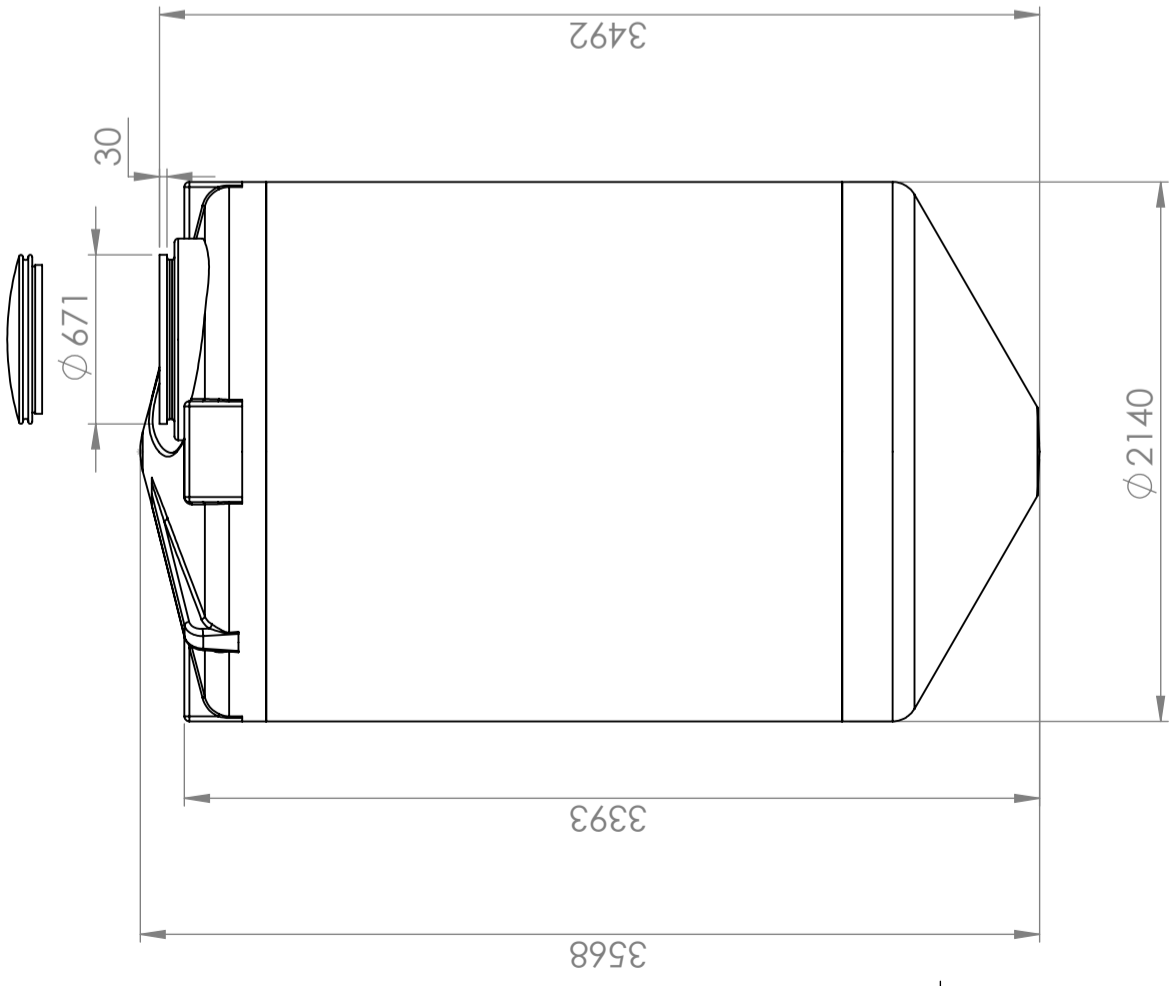
Spesifikasjoner

Bunnform	Konisk
Volum (L)	10000
Høyde (mm)	3568
Diameter (mm)	2140
Tetthetsinnhold (max kg/l)	1,2

Gjenvinning



This drawing and design is the property of CIPAX. Copying and distribution of the drawing or any contents is prohibited without written permission from authorised personnel at CIPAX



"Manhole requires 800 mm space to open fully. Compared to maximum height"

Constructed by - date	Approved by - date	General Tolerances	Material	Finish, Ra	View	Scale
M.P 22.04.2013		NS-ISO 2768-1	LDPE	grit 120		1:30
Owner	Title/Description					
	1225741		10000 L Kon excentric			
	Drawing number		Revision	Sheet size	Sheet	
	627 - 34		A	A3	1(2)	

Generelle toleranser om ikke anner oppgitt på tegning	Tilatte avvik for måleområdet. Gjelder ved +20° C		
General tolerances if not other stated on drawing	Permissible deviations for basic length size range. Valid +20° C		
	0-20	>20-75	>75-150
	±0.5mm	±1mm	±1.5mm
		±1.3%	±1%
			>300
			±1%

REVISIONS			
ZONE	REV.	DESCRIPTION	DATE
A	A	Renamed part to 1225741. Made a new drawing and updated views. M.P	22.04.2013

1 2 3 4 5 6 7 8

A B C D E F

1

2

3

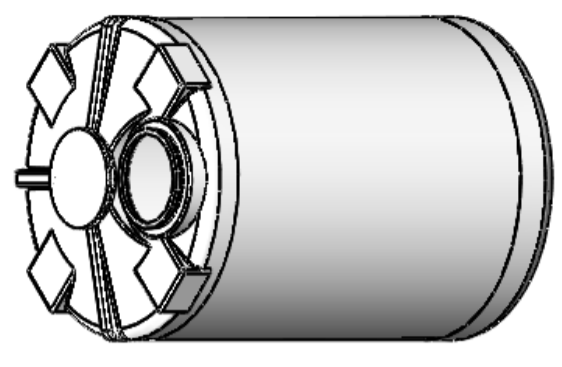
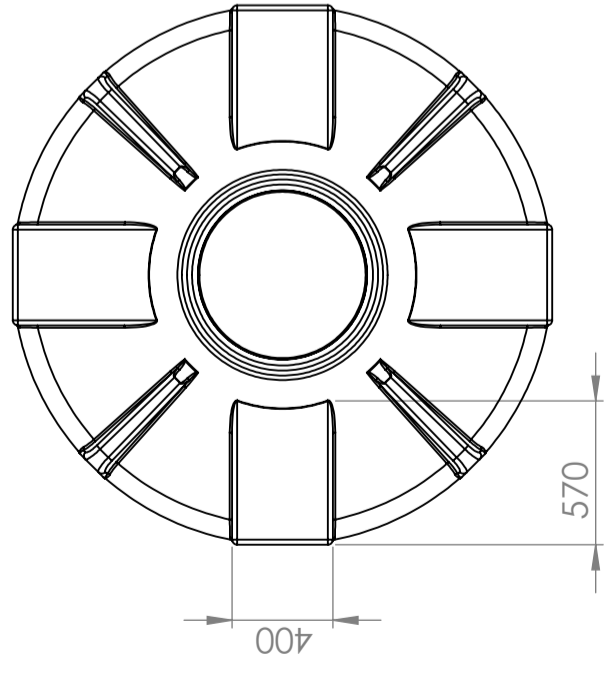
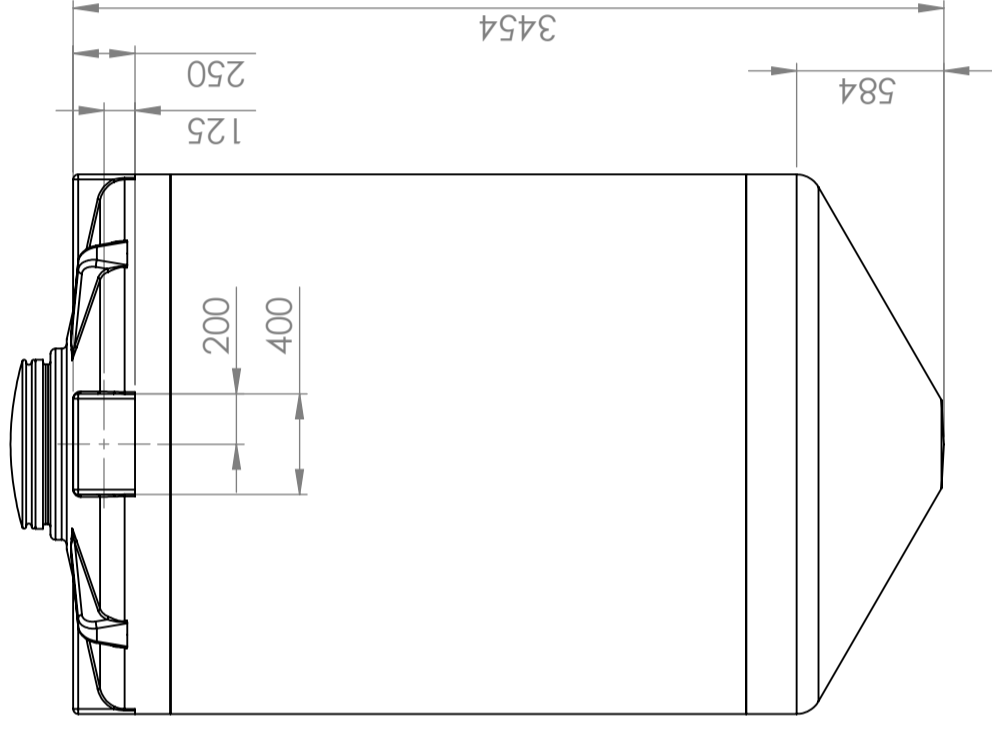
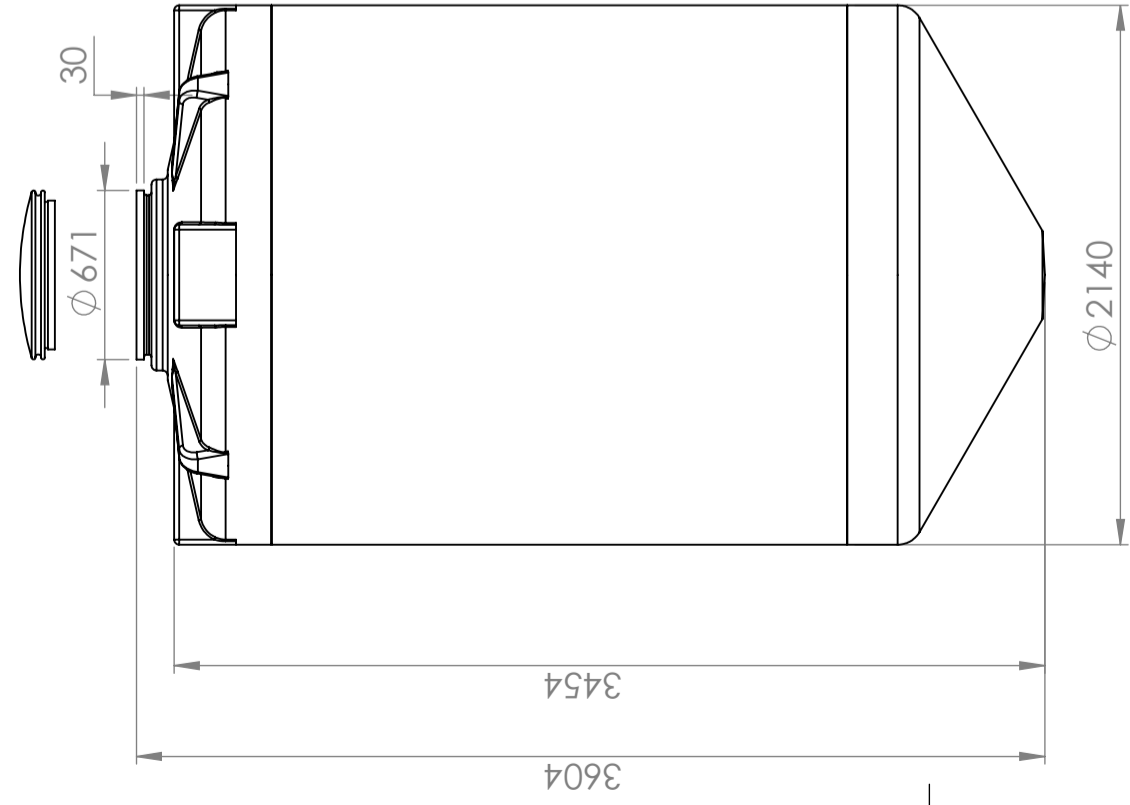
4

5

6

7

8



"Manhole requires 800 mm space to open fully. Compared to maximum height"

REVISIONS				
ZONE	REV.	DESCRIPTION	DATE	APPROVED
-	A	Renamed part to 1225741. Made a new drawing and updated views. M.P	22.04.2013	-

Constructed by - date	Approved by - date	General Tolerances	Material	Finish, Ra	View	Scale
M.P 22.04.2013		NS-ISO 2768-1	LDPE	grit 120		1:30
Owner	Title/Description					
	1225741		10000 L Kon center			
	Drawing number		Revision			
	627 - 34		A			
			Sheet size		Sheet	
			A3		2(2)	



Generelle toleranser om ikke annet oppgitt på tegning	Tilatte avvik for måleområdet. Gjelder ved +20° C
General tolerances if not other stated on drawing	Permissible deviations for basic length size range. Valid +20° C
±0.5mm	0-20
±1mm	>20-75
±1.5mm	>75-150
±1.3%	>150-300
±1%	>300

This drawing and design is the property of CIPAX. Copying and distribution of the drawing or any contents is prohibited without written permission from authorised personal at CIPAX.