




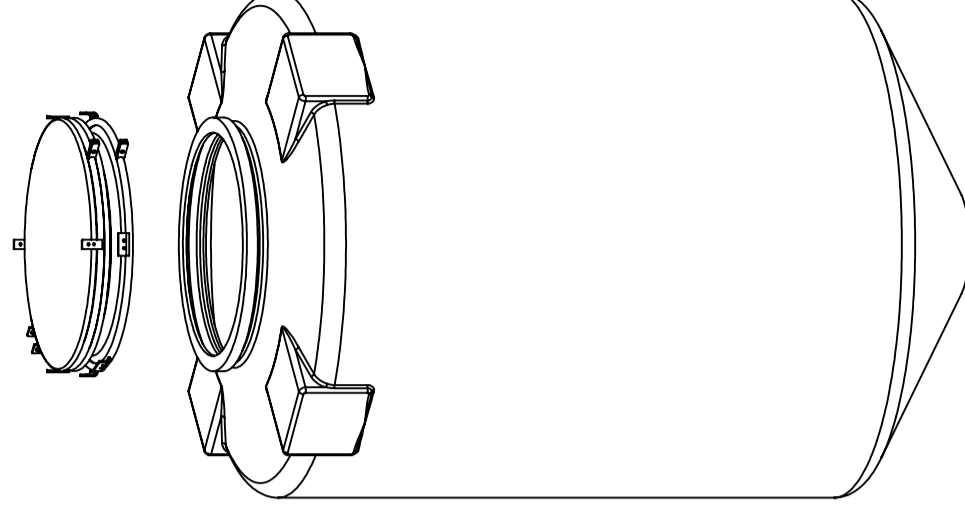
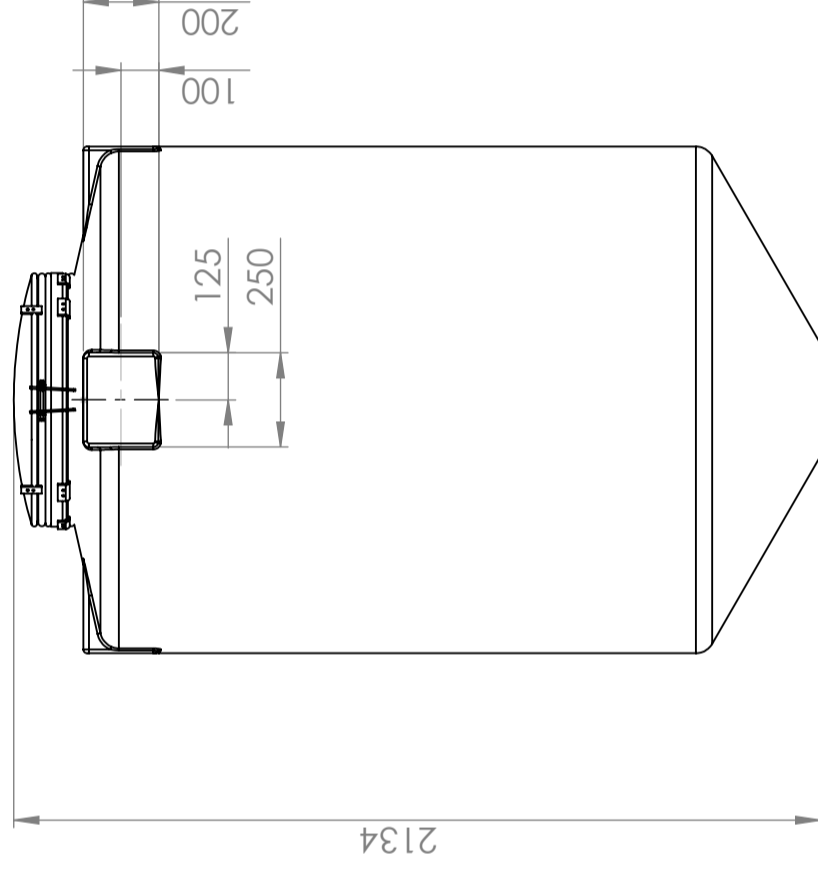
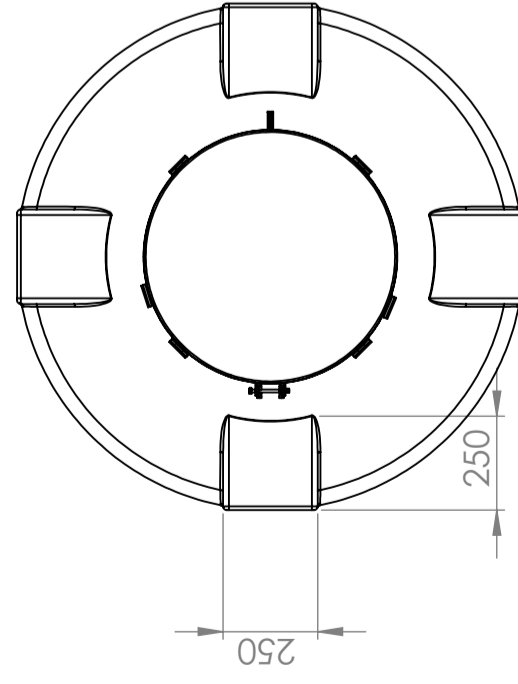
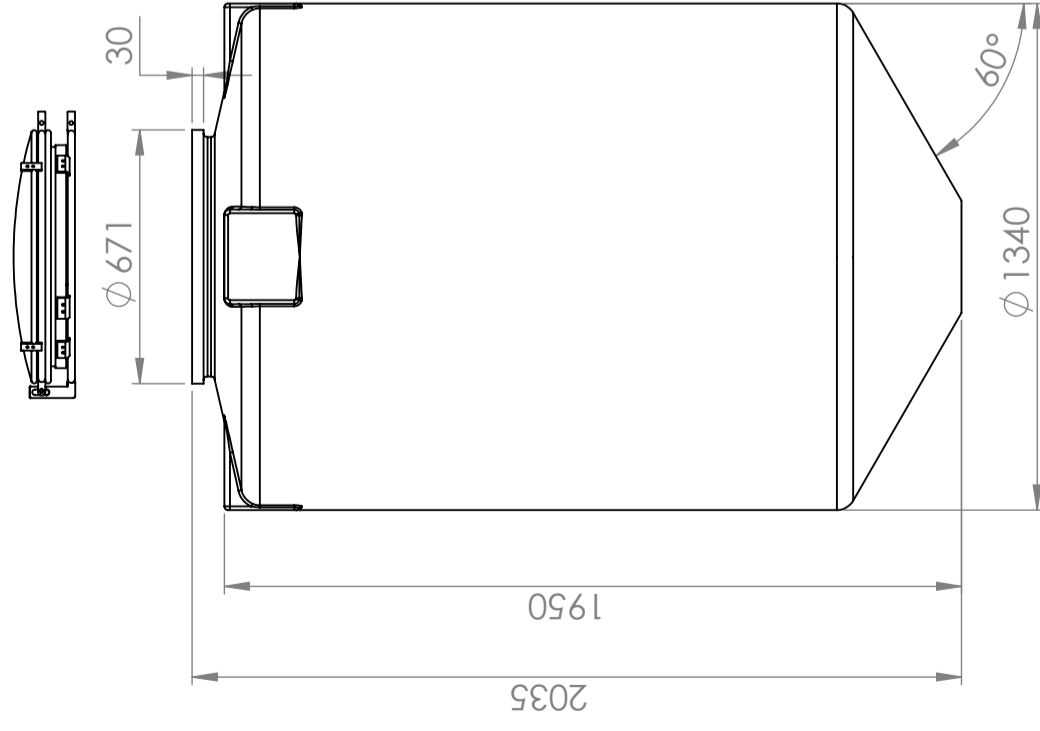
CPX Beholder 2000 liter sylindrisk

Høyde inklusive stativ: 2560 mm Høyde eksklusive stativ:
2135 mm. For væsker med densitet opptil 1,85.
Suppleres med stativ 60387.

Art.nr: 18015

Spesifikasjoner	
Bunnform	Konisk
Volum (L)	2000
Høyde (mm)	2134
Diameter (mm)	1340
Vekt (kg)	65
Tetthetsinnhold (max kg/l)	1,85
Gjenvinning	

This drawing and design is the property of Cipax. Copying and distribution of the drawing or any contents is prohibited without written permission from authorised personal at Cipax



"Manhole requires 800 mm space to open fully. Compared to maximum height"

Constructed by - date M.P 29.04.2013	Evaluated by	Approved by - date	General Tolerances NS-ISO 2768-1	Material LDPE	Finish, Ra grit 120	View 	Scale 1:20
Owner 1226641	Title/Description 2000 L centric		Revision A		Sheet size A3		Sheet 1(1)
Drawing number 630 - 34		Revision A		Sheet size A3		Sheet 1(1)	

Generelle toleranser om ikke annet oppgitt på tegning	Tilatte avvik for måleområdet. Gjelder ved +20°C
General tolerances if not other stated on drawing	Permissible deviations for basic length size range. Valid +20°C
0-20	>20-75
±0.5mm	±1mm
	±1.5mm
	±1.3%
	±1%
	>300

REVISIONS			
ZONE	REV.	DESCRIPTION	DATE
	A	Made a new drawing and updated views. M.P	29.04.2013
			APPROVED

A B C D E F

1 2 3 4 5 6 7 8