



CPX Beholder 5000 liter sylindrisk

Höjd inklusive stativ: 3200 mm. Höjd exklusive stativ: 2720 mm. For liquids up to density 1,85

Art.nr: 18016

Spesifikasjoner

Bunnform	Konisk
Volum (L)	5000
Høyde (mm)	2395
Diameter (mm)	1800
Vekt (kg)	170
Tetthetsinnhold (max kg/l)	1,85

Gjenvinning



ZONE	REV.	DESCRIPTION	DATE	APPROVED
A	A	Renamed part to 1408641. Made a new drawing and updated views. M.P	30.04.2013	

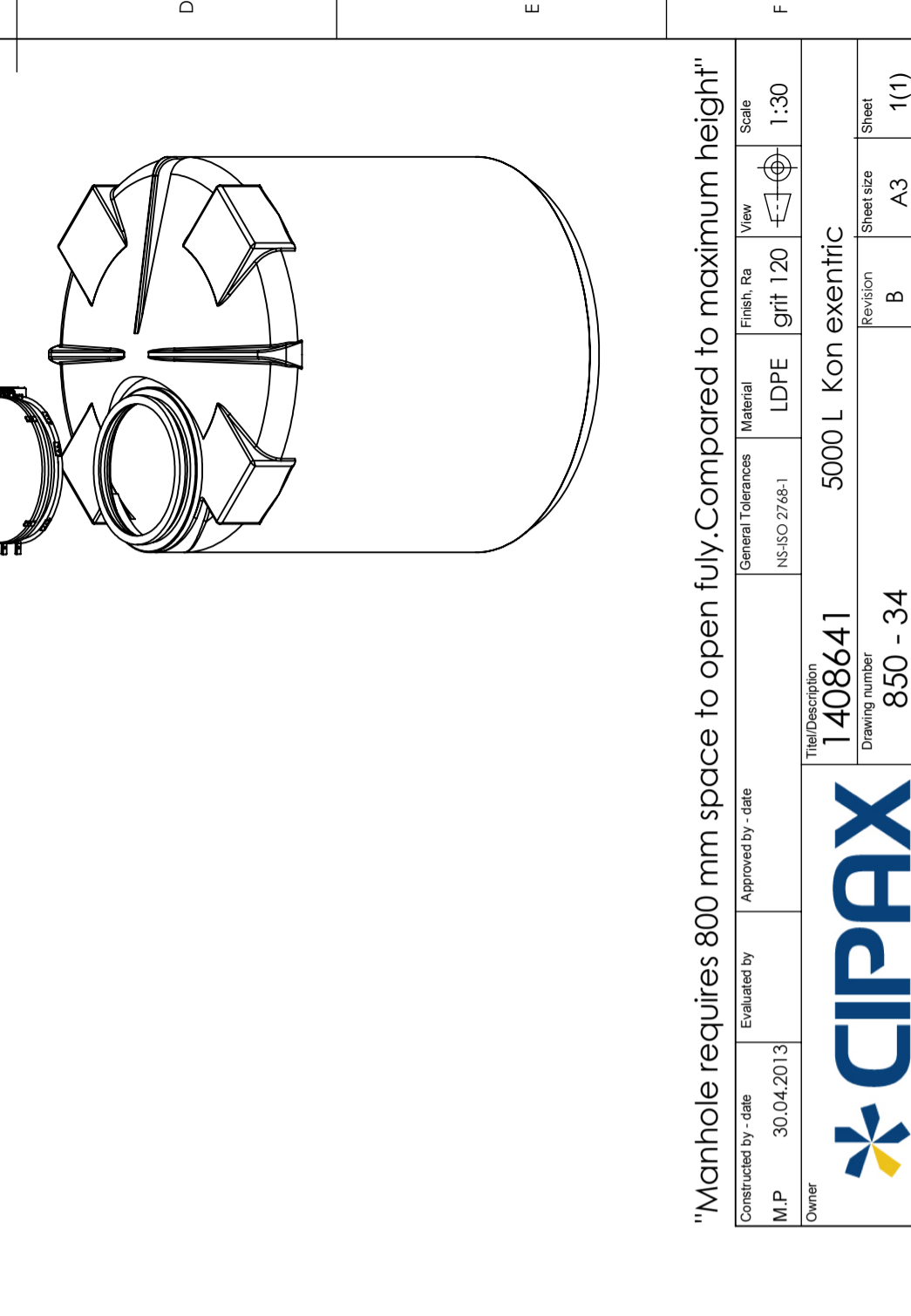
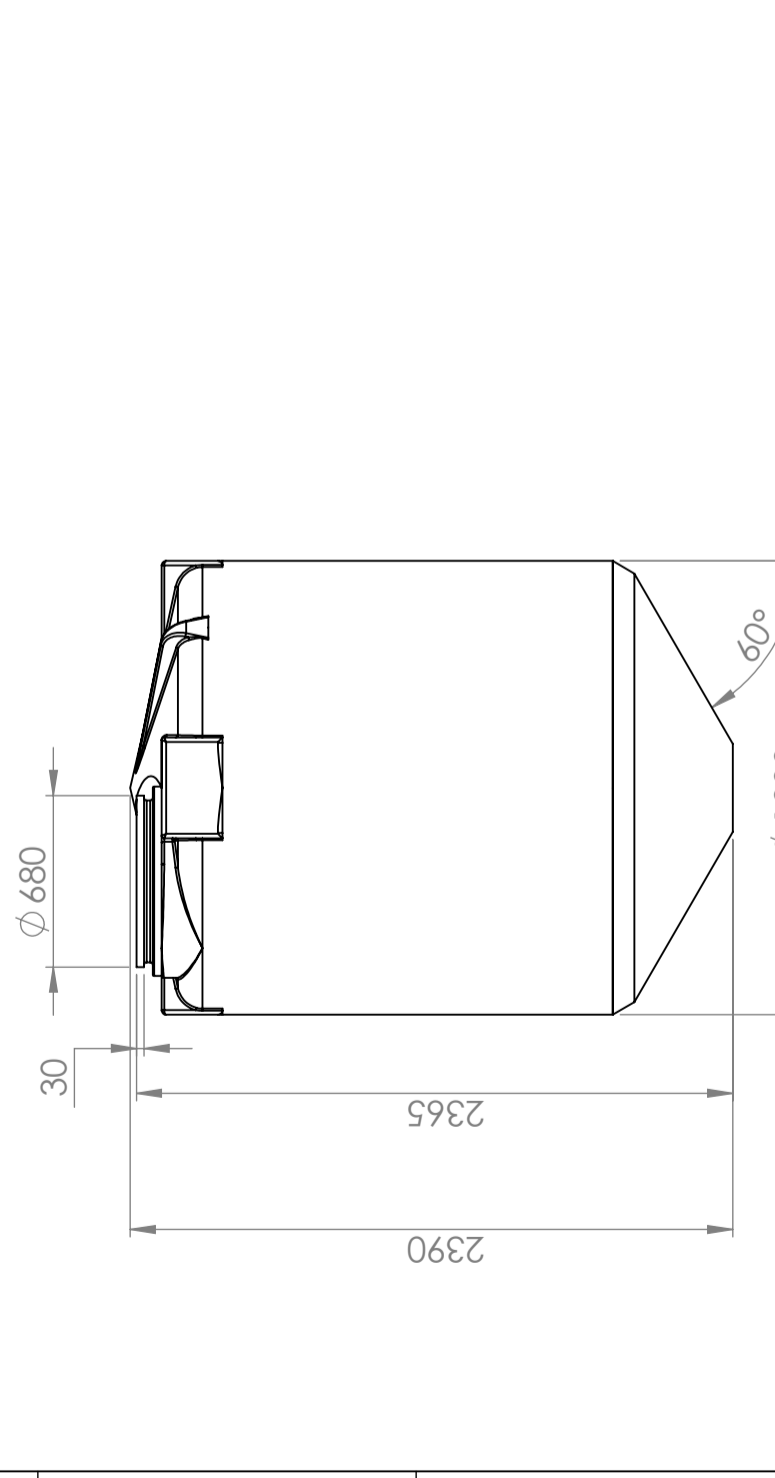
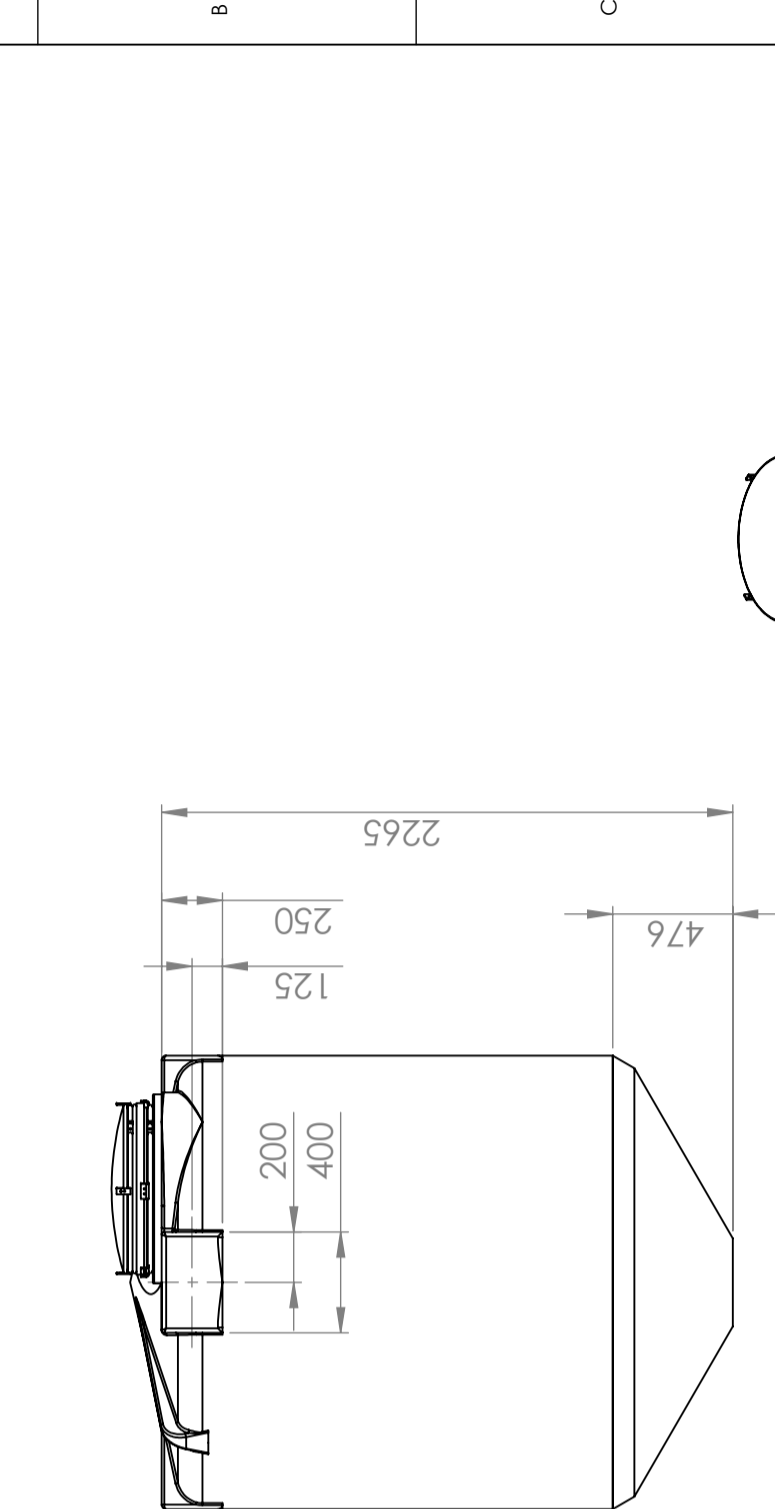
REVISIONS				
ZONE	REV.	DESCRIPTION	DATE	APPROVED
A	A	Renamed part to 1408641. Made a new drawing and updated views. M.P	30.04.2013	

Constructed by - date	Evaluated by	Approved by - date	General Tolerances	Material	Finish, Ra	View	Scale
M.P 30.04.2013			NS-ISO 2768-1	LDPE	grit 120		1:30

Owner	Title/Description	Drawing number	Revision	Sheet size	Sheet
	1408641	850 - 34	B	A3	1(1)

Generelle toleranser om ikke annet oppgitt på tegning	Permissible deviations for basic length size range. Valid +20°C
0-20 ±0.5mm	>20-75 ±1mm
>75-150 ±1.5mm	>150-300 ±1.3%
>300 ±1%	

Tilatte avvik for måleområdet. Gjelder ved +20°C



"Manhole requires 800 mm space to open fully. Compared to maximum height"

This drawing and design is the property of CIPAX. Copying and distribution of the drawing or any contents is prohibited without written permission from authorised personnel at CIPAX