




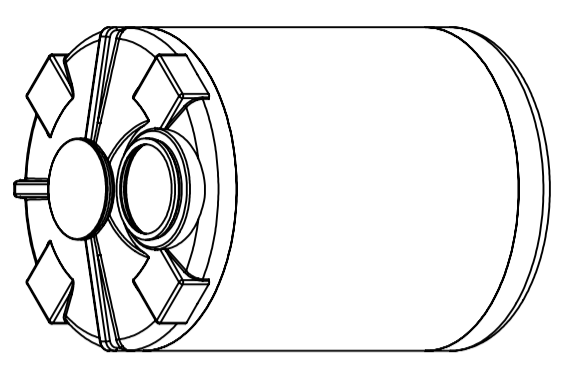
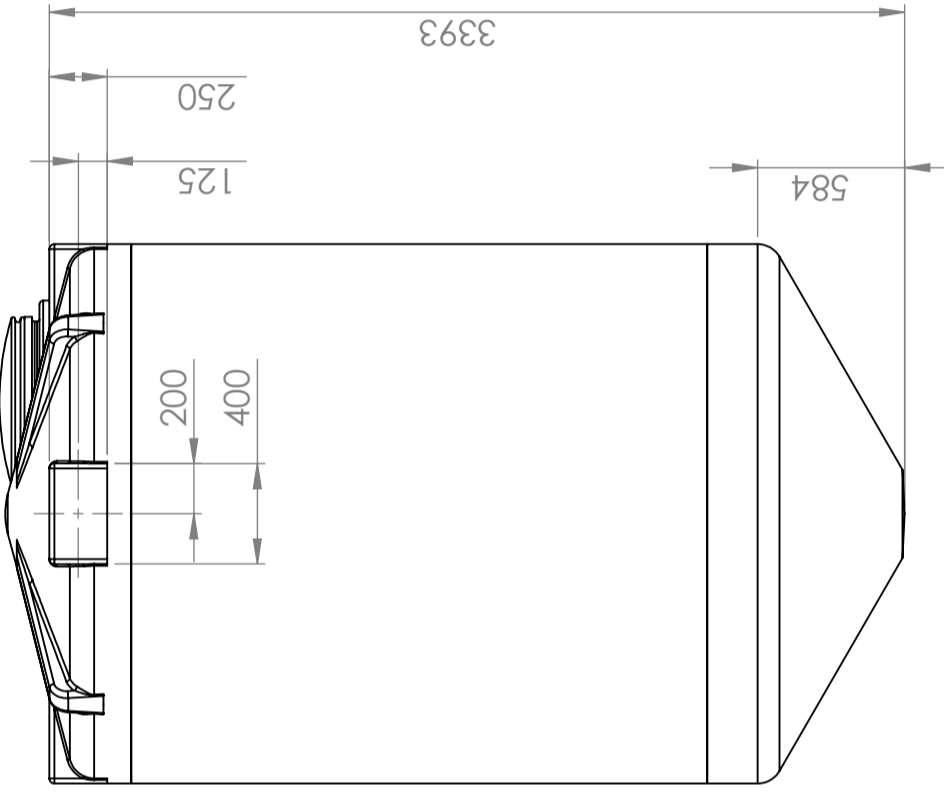
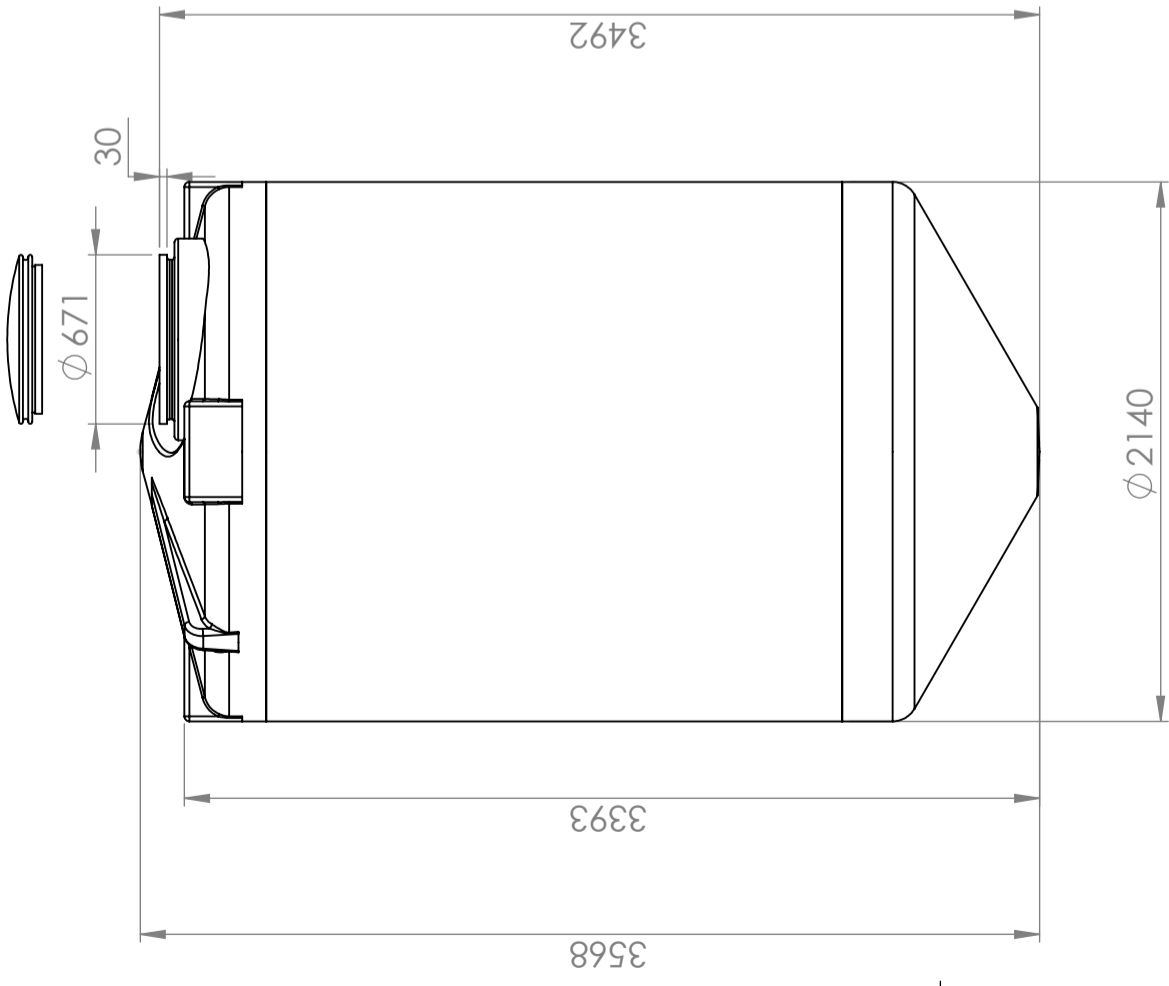
CPX Lagringstank 10000L konisk botten

Höjd inklusive stativ: 3970 mm Höjd exklusive stativ: 3600 mm. För vätskor med densitet upp till 1,2.
Komplekteritakse stativiga art. nr. 60386.

Art.nr: 18018

Specifikationer	
Bottenform	Konisk
Volym (L)	10000
Höjd (mm)	3568
Diameter (mm)	2140
Densitet innehåll (max kg/l)	1,2
Klimatpåverkan (kg CO2-ekv.)	682,674
Återvinning	

This drawing and design is the property of CIPAX. Copying and distribution of the drawing or any contents is prohibited without written permission from authorised personnel at CIPAX



"Manhole requires 800 mm space to open fully. Compared to maximum height"

Generelle toleranser om ikke annet oppgitt på tegning	Tilatte avvik for måleområdet. Gjelder ved +20° C
General tolerances if not other stated on drawing	Permissible deviations for basic length size range. Valid +20° C
±0.5mm	0-20
±1mm	>20-75
±1.5mm	>75-150
±1.3%	>150-300
±1%	>300

Owner
CIPAX
 Title/Description
1225741
 Drawing number
627 - 34

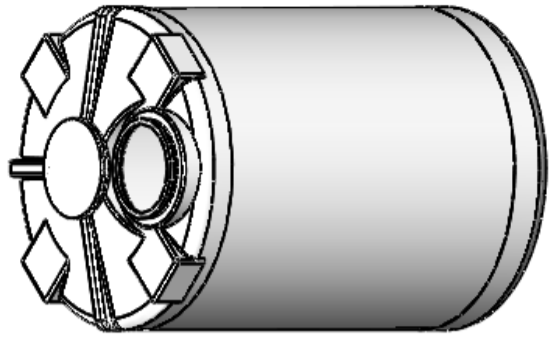
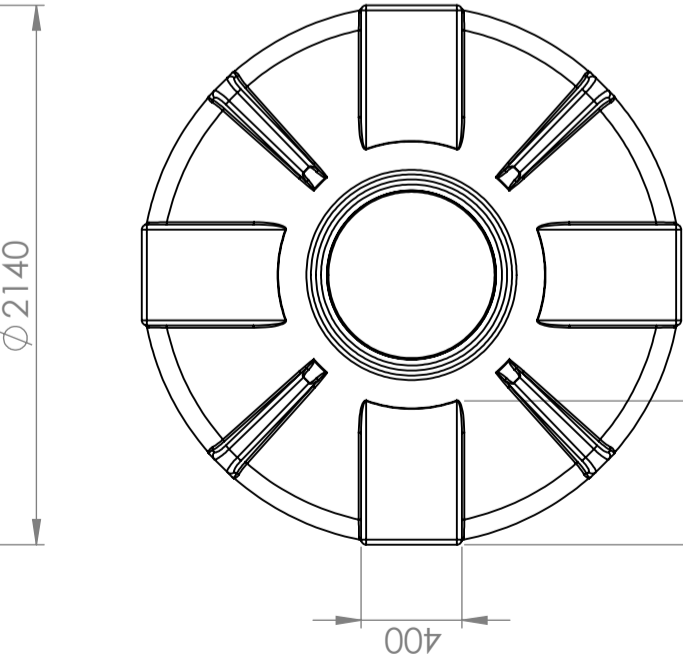
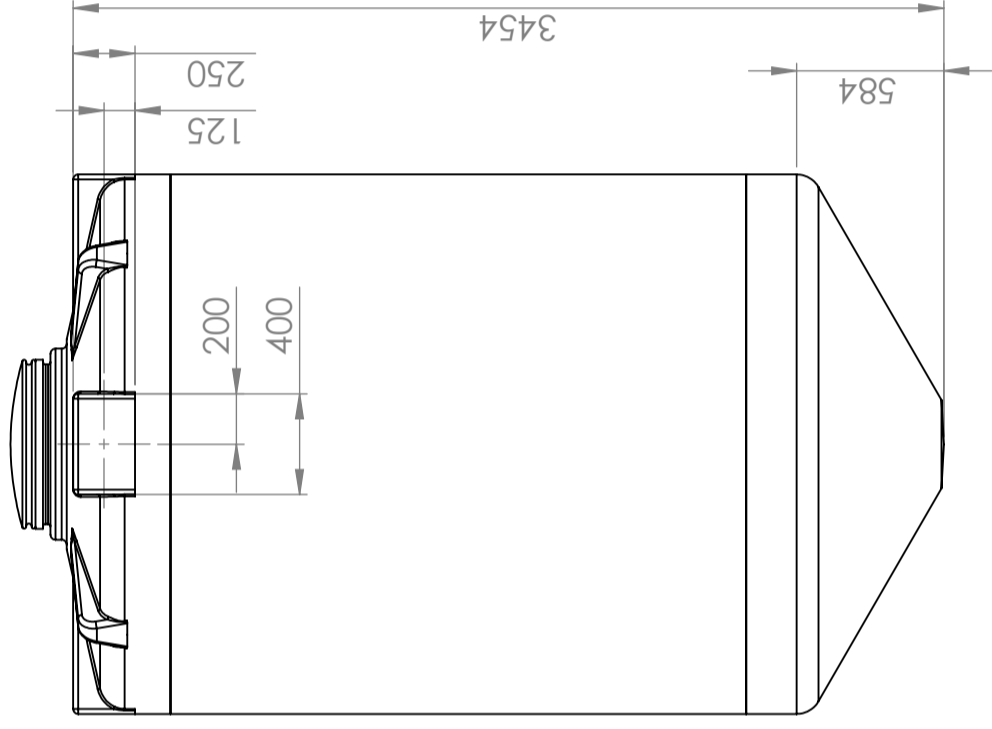
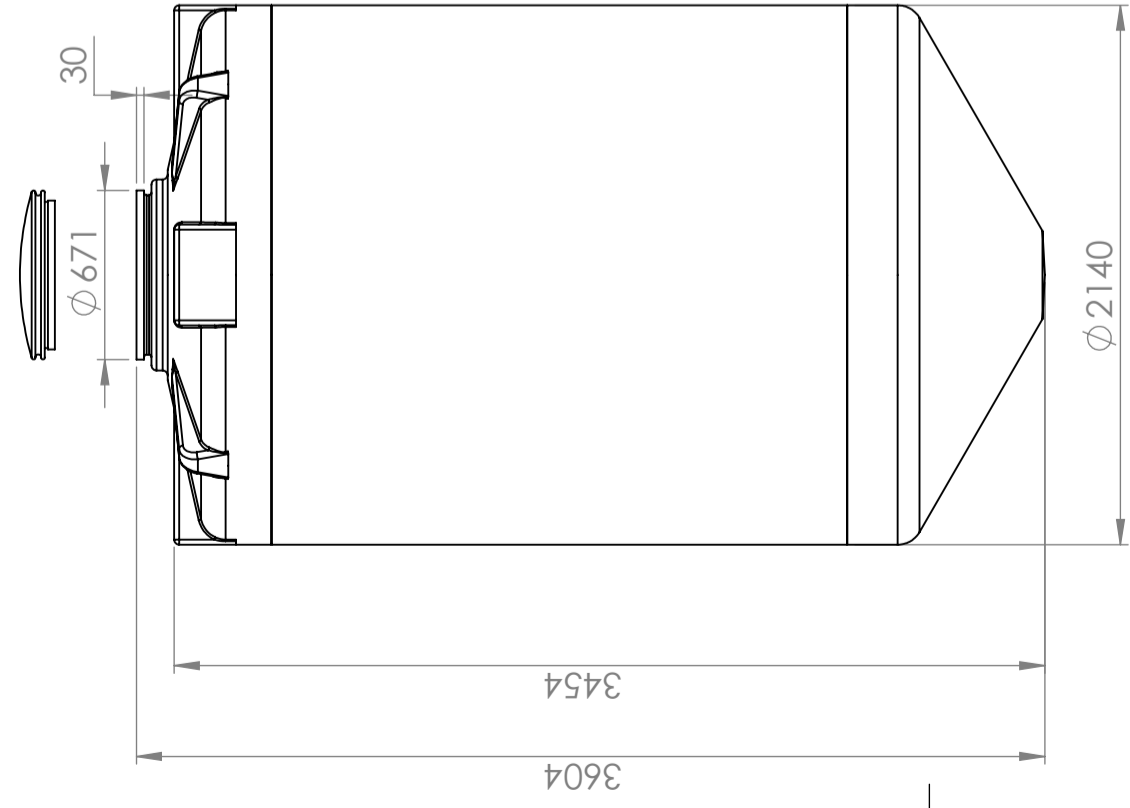
Constructed by - date M.P 22.04.2013	Evaluated by	Approved by - date	General Tolerances NS-ISO 2768-1	Material LDPE	Finish, Ra grit 120	View 	Scale 1:30
Title/Description 1225741			Material LDPE				
Drawing number 627 - 34			Finish, Ra grit 120				
Owner CIPAX			View 				
Title/Description 10000 L Kon excentric			Scale 1:30				
Drawing number 627 - 34			Material LDPE				
Approved by - date			Finish, Ra grit 120				
Evaluated by			View 				
Constructed by - date M.P 22.04.2013			Scale 1:30				

ZONE	REV.	DESCRIPTION	DATE	APPROVED
A	A	Renamed part to 1225741. Made a new drawing and updated views. M.P	22.04.2013	

REVISIONS

1 2 3 4 5 6 7 8

A B C D E F



"Manhole requires 800 mm space to open fully. Compared to maximum height"

Constructed by - date	Approved by - date	General Tolerances	Material	Finish, Ra	View	Scale
M.P 22.04.2013		NS-ISO 2768-1	LDPE	grit 120		1:30
Owner	Title/Description					
	1225741		10000 L Kon center			
	Drawing number		Revision			
	627 - 34		A			
			Sheet size		Sheet	
			A3		2(2)	



REVISIONS

ZONE	REV.	DESCRIPTION	DATE	APPROVED
-	A	Renamed part to 1225741. Made a new drawing and updated views. M.P	22.04.2013	-

This drawing and design is the property of CIPAX. Copying and distribution of the drawing or any contents is prohibited without written permission from authorised personal at CIPAX.

Generelle toleranser om ikke annet oppgitt på tegning	Tilatte avvik for måleområde. Gjelder ved +20° C		
General tolerances if not other stated on drawing	Permissible deviations for basic length size range. Valid +20° C		
	0-20	>20-75	>75-150
	±0,5mm	±1mm	±1,5mm
		±1,3%	±1,3%
			±1%