




CPX Lagringstank 5000L konisk botten

Höjd inklusive stativ: 3200 mm. Höjd exklusive stativ: 2720 mm. För vätskor med densitet upp till 1,85. Kompletteras med stativ 60385.

Art.nr: 18016

Specifikationer	
Bottenform	Konisk
Volym (L)	5000
Höjd (mm)	2395
Diameter (mm)	1800
Vikt (kg)	170
Densitet innehåll (max kg/l)	1,85
Klimatpåverkan (kg CO2-ekv.)	405,339
Återvinning	

ZONE	REV.	DESCRIPTION	DATE	APPROVED
A	A	Renamed part to 1408641. Made a new drawing and updated views. M.P	30.04.2013	

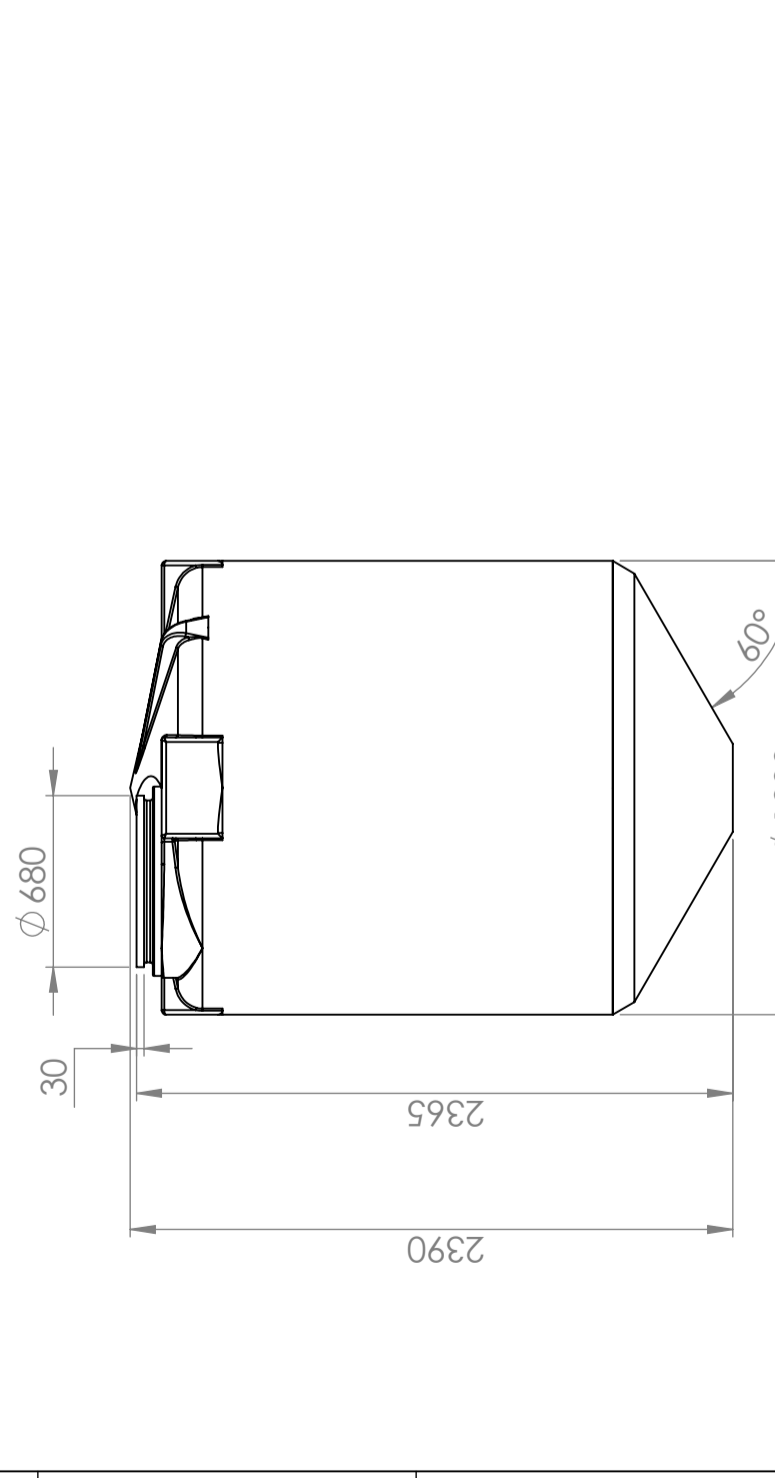
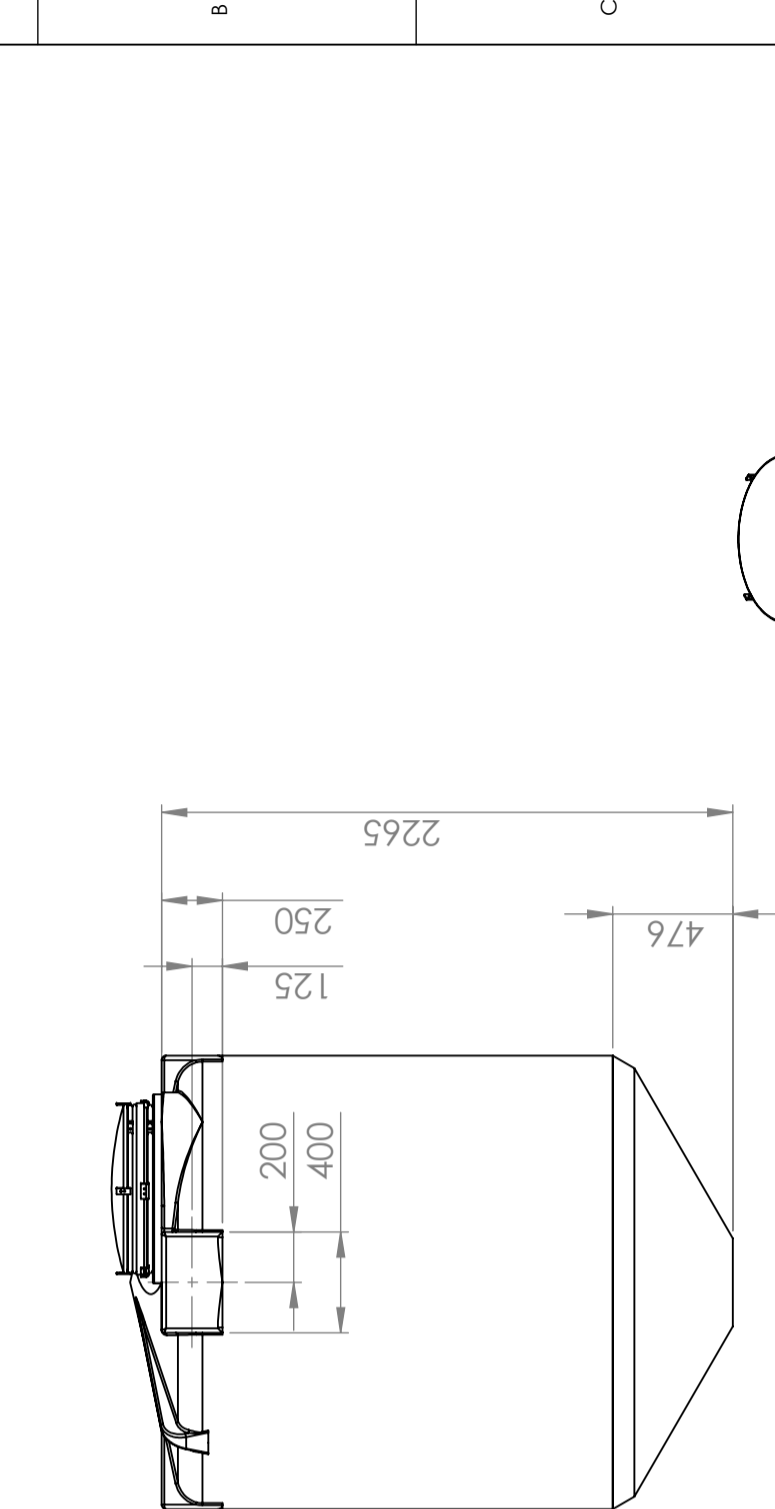
REVISIONS				
ZONE	REV.	DESCRIPTION	DATE	APPROVED
A	A	Renamed part to 1408641. Made a new drawing and updated views. M.P	30.04.2013	

Constructed by - date	Evaluated by	Approved by - date	General Tolerances	Material	Finish, Ra	View	Scale
M.P 30.04.2013			NS-ISO 2768-1	LDPE	grit 120		1:30

Owner	Title/Description	Drawing number	Revision	Sheet size	Sheet
	1408641	850 - 34	B	A3	1(1)

Generelle toleranser om ikke annet oppgitt på tegning	Permissible deviations for basic length size range. Valid +20°C
0-20 ±0,5mm	>20-75 ±1mm
>75-150 ±1,5mm	>150-300 ±1,3%
>300 ±1%	>300 ±1%

Tilatte avvik for måleområdet. Gjelder ved +20°C



This drawing and design is the property of CIPAX. Copying and distribution of the drawing or any contents is prohibited without written permission from authorised personnel at CIPAX

"Manhole requires 800 mm space to open fully. Compared to maximum height"

