

## Stativ för silo

Rotationsgjutet svart stativ till silo i polyeten. Passar till silos 300L-600L. Kon 45°



Ungefärlig storlek

### Varianter

69390	Stativ silo 25L metall
69400	Stativ silo 90L PE
69391	Stativ silo 90L metall
69392	Stativ silo 300-600L PE
69393	Stativ silo 300-600L metall
69394	Stativ silo 1400L metall
69395	Stativ silo 1800L metall
69396	Stativ silo 1900L metall
69398	Stativ silo 1100/2000L metall cyl.
69397	Stativ silo 2000L metall rekt.
69401	Stativ silo 2500 metall
69399	Stativ silo 3500-5500 metall

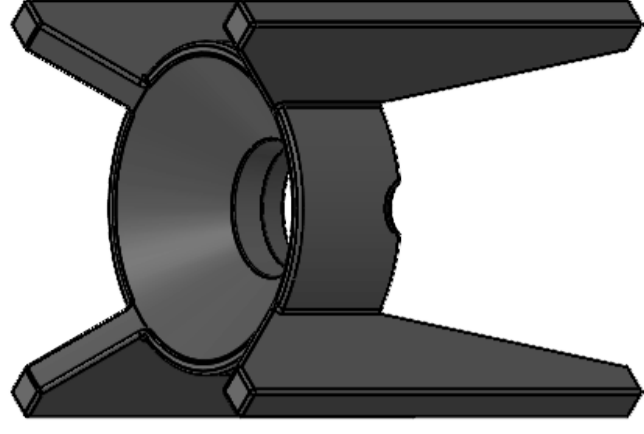
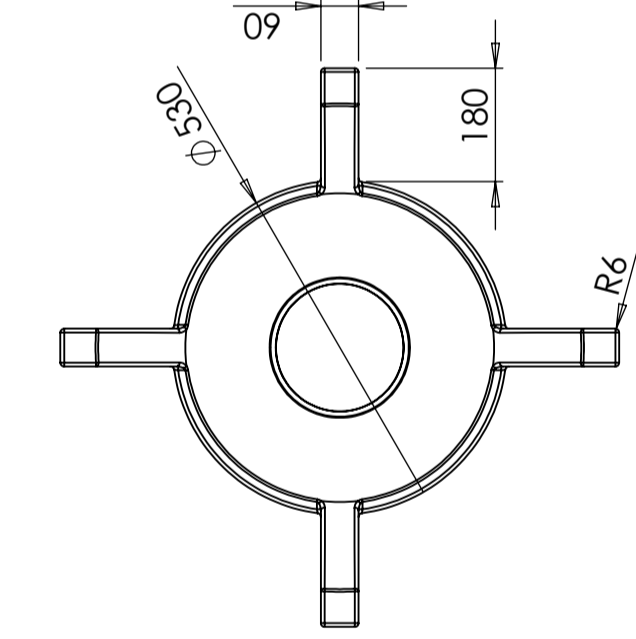
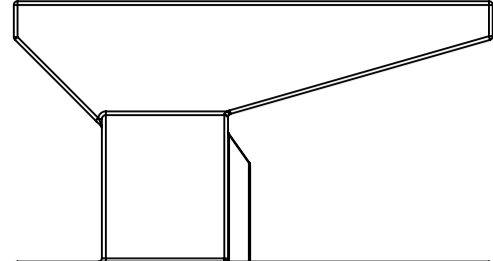
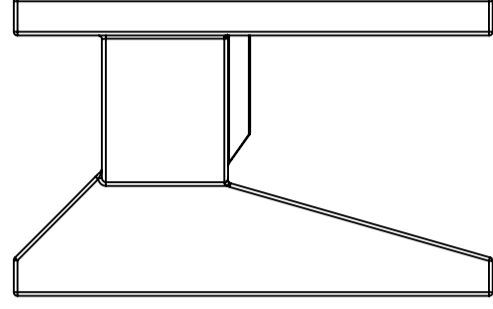
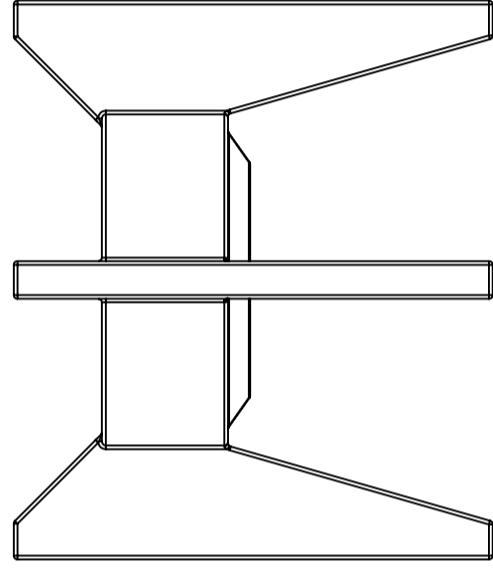
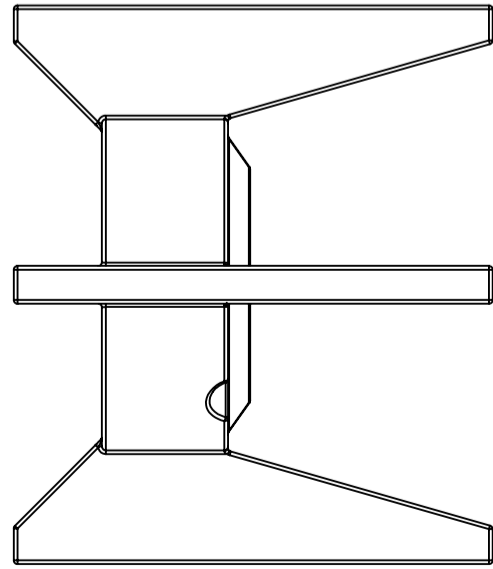
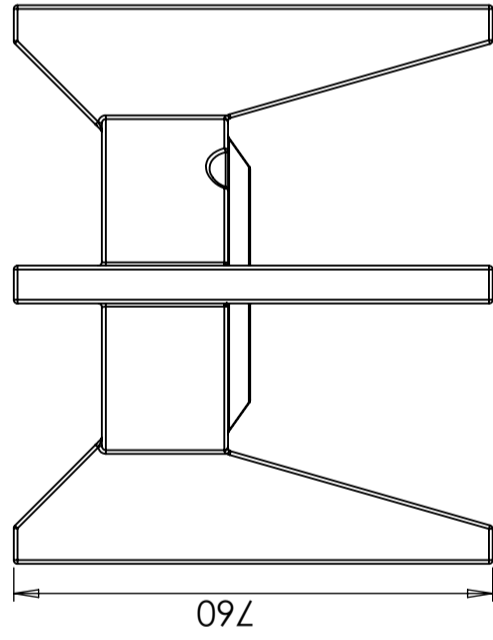
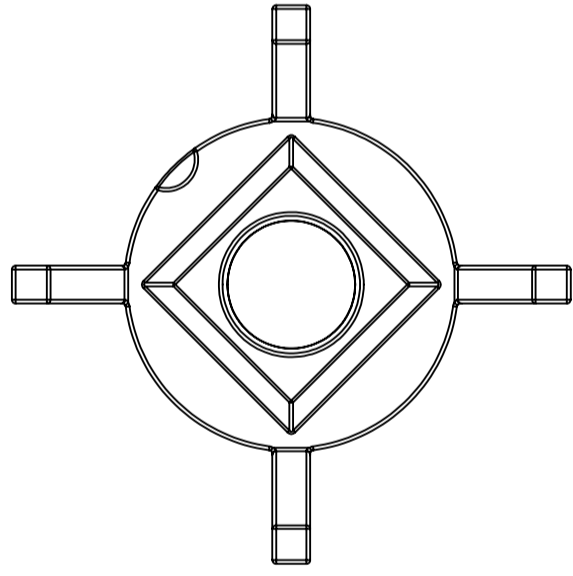
## Egenskaper



Logistiklösning



Enkel att rengöra



Revision		Reason of change		Date		Approved	
Revision		Reason of change		Date		Approved	

This drawing and design is the property of CIPAX. Copying and distribution of the drawing or any contents is prohibited without written permission from authorised personal at CIPAX

Designed by	Inspected by	Approved by - Date	General tolerance SS-ISO 2768-1	General surface finish, Ra	View position	Scale	
		-				1:12	
<b>CIPAX</b> Owner Title/Name <b>Stativ silo 300-600L PE</b> Drawing Number <b>69392</b>							Page 1(1)