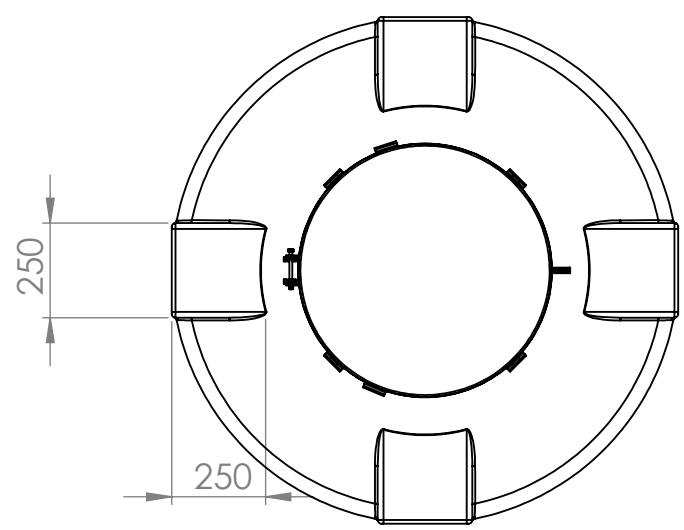
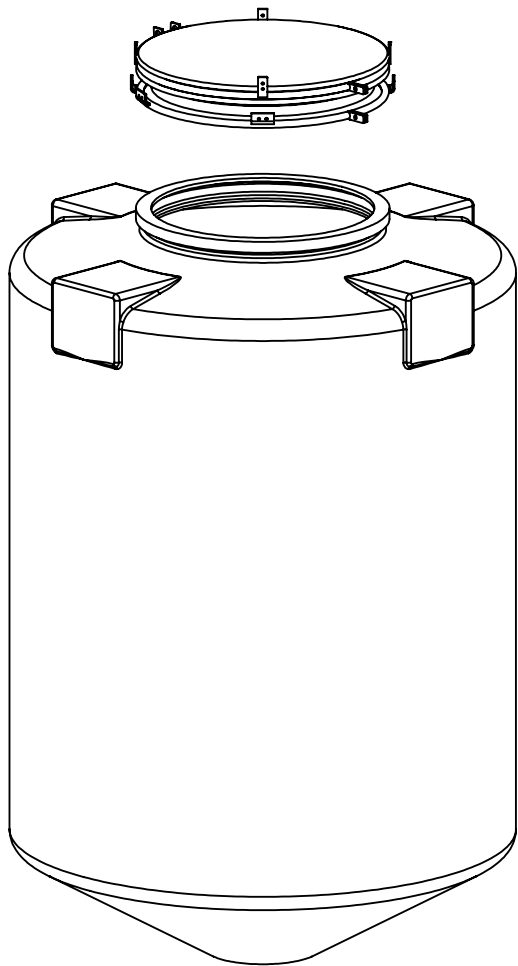
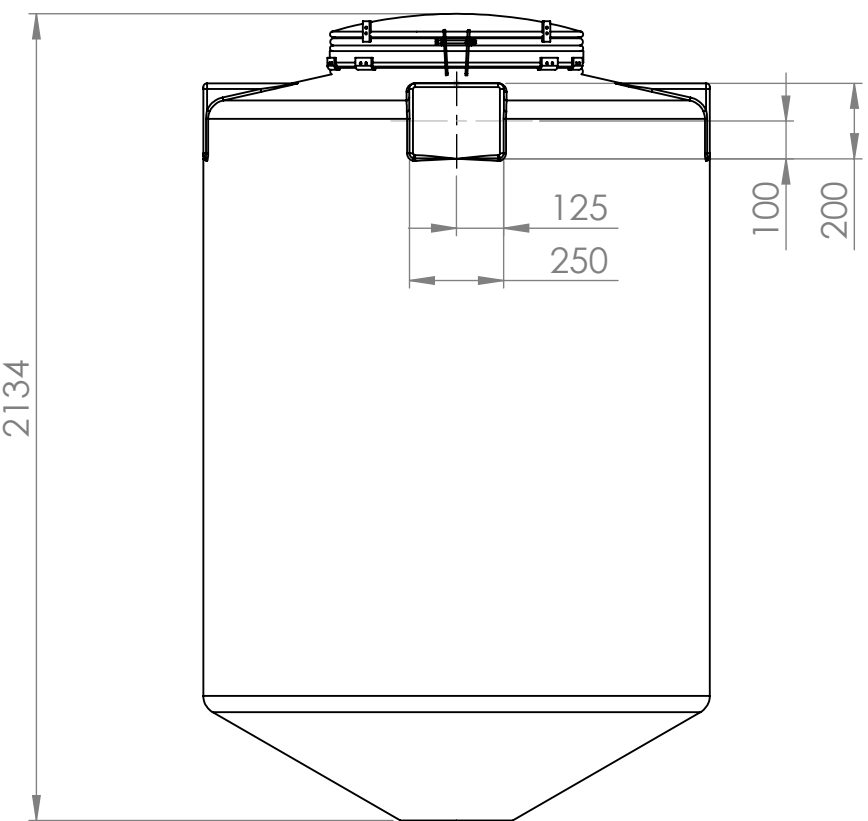
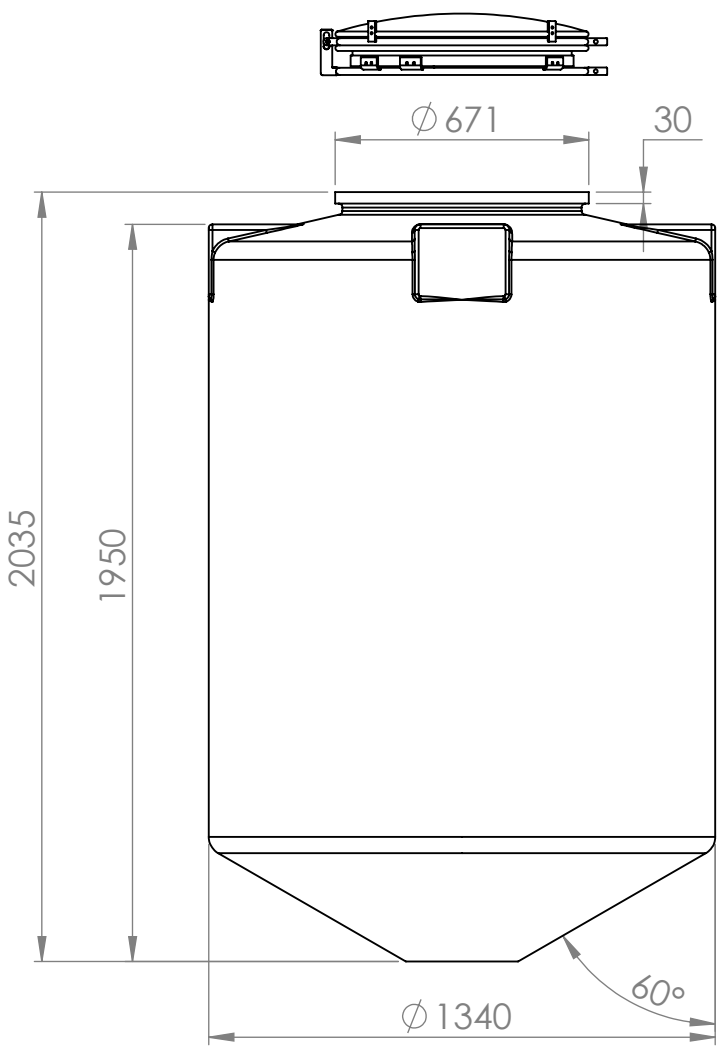


REVISIONS				
ZONE	REV.	DESCRIPTION	DATE	APPROVED
	A	Made a new drawing and updated views. M.P	29.04.2013	



"Manhole requires 800 mm space to open fully. Compared to maximum height"

Constructed by - date	Evaluated by	Approved by - date	General Tolerances	Material	Finish, Ra	View	Scale
M.P 29.04.2013			NS-ISO 2768-1	LDPE	grit 120		1:20
Owner		Titel/Description					
		1226641		2000 L centric			
Drawing number			Revision	Sheet size	Sheet		
630 - 34			A	A3	1(1)		

Generelle toleranser om ikke annet er oppgitt på tegning	Tilatte avvik for måleområde. Gjelder ved +20°C				
General tolerances if not other stated on drawing	Permissible deviations for basic length size range. Valid +20°C				
	0-20	>20-75	>75-150	>150-300	>300
	±0,5mm	±1mm	±1,5mm	±1,3%	±1%

This drawing and design is the property of Cipax. Copying and distribution of the drawing or any contents is prohibited without written permission from authorised personnel at Cipax