
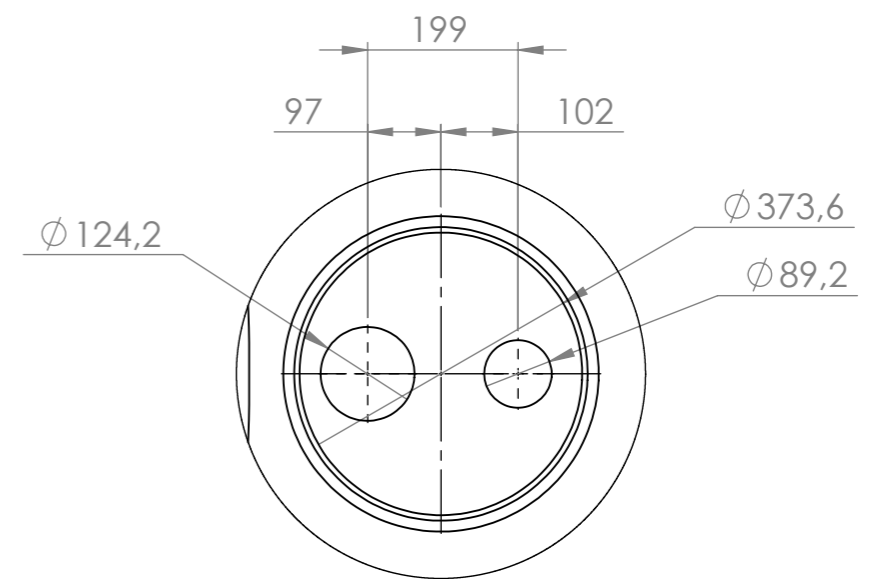
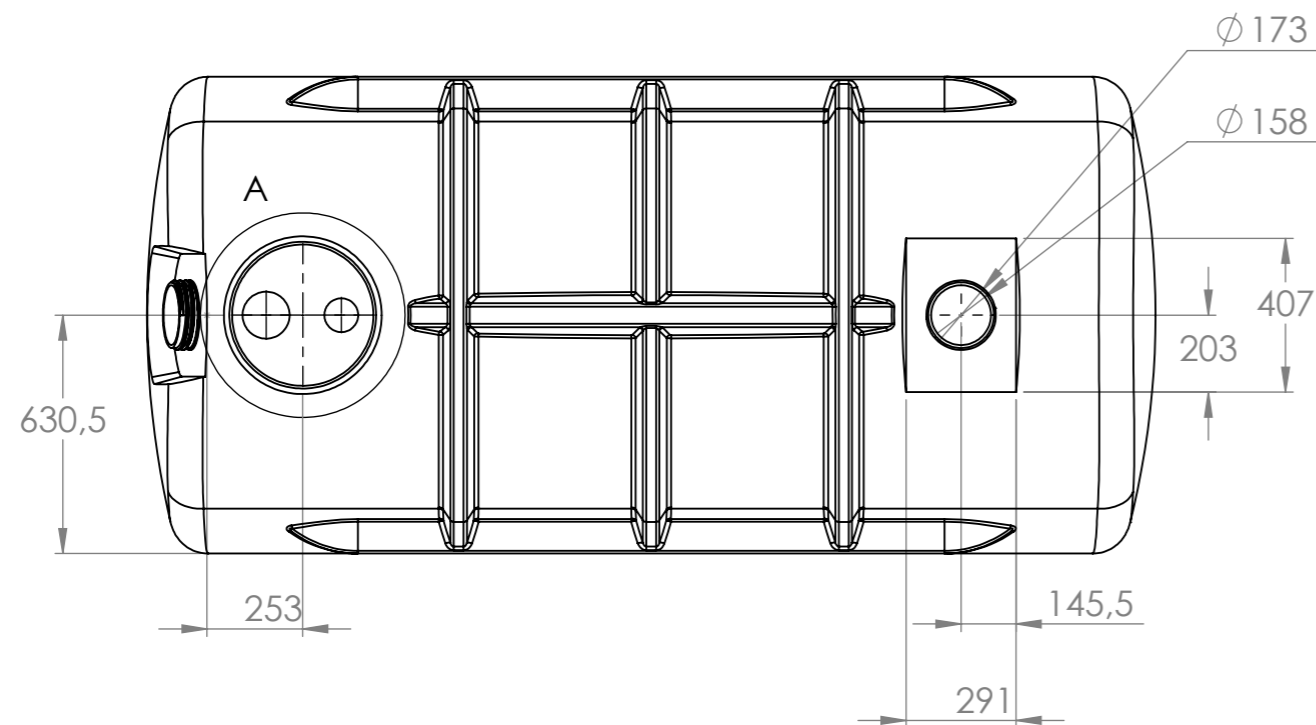
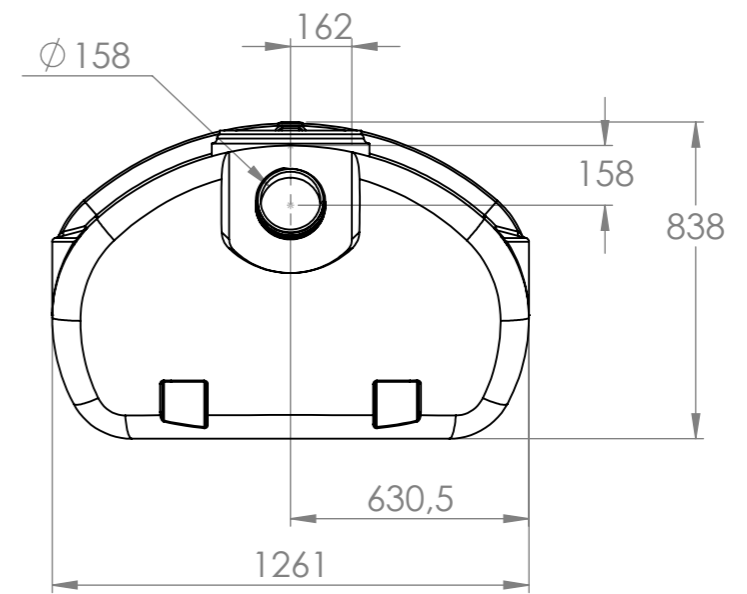
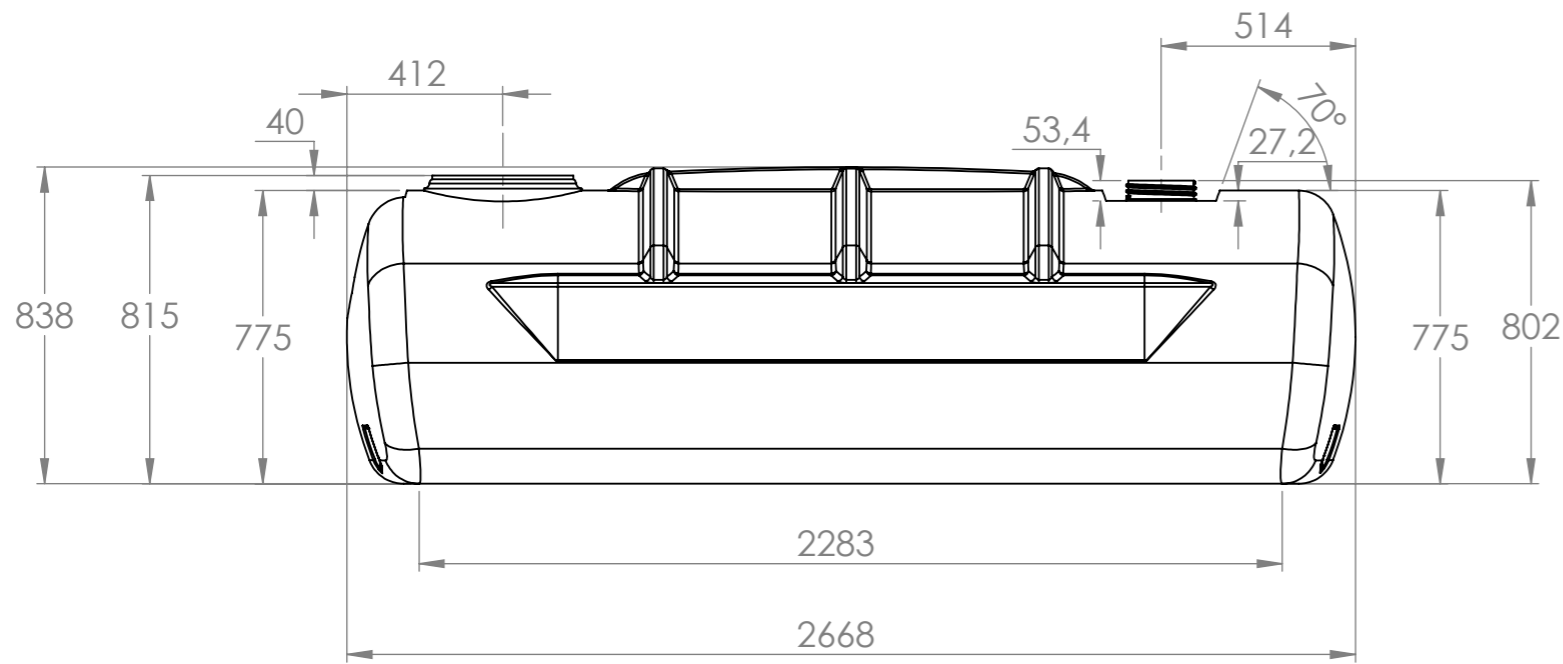


ITEM NO.	PART NUMBER	DESCRIPTION	QTY.
1	5722137	Sort MK-Tank	1
2	8800079	Gumminippel 123-126/110 mm	1
3	8800078	Gumminippel 96-105/50-70	1
4	8800189	Lokk RB u/pakn., blå tr 185x16	2
5	8800296	O-Ring TR 185x16 epdm	2

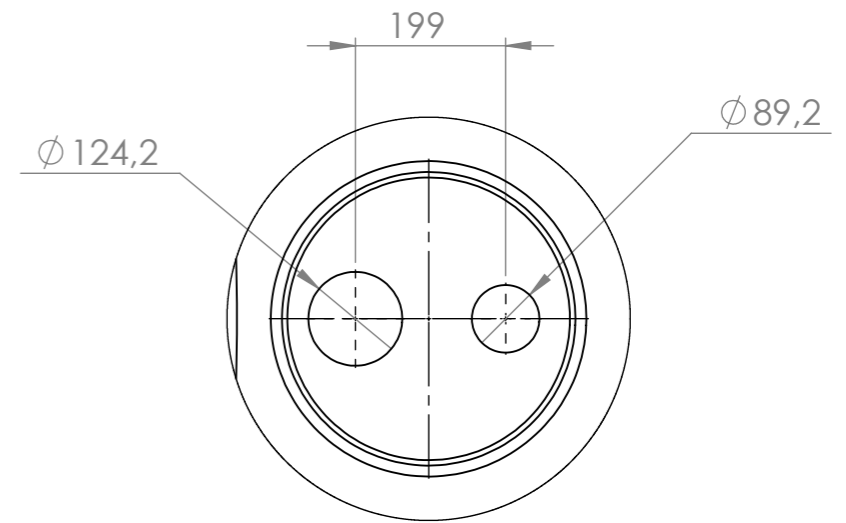
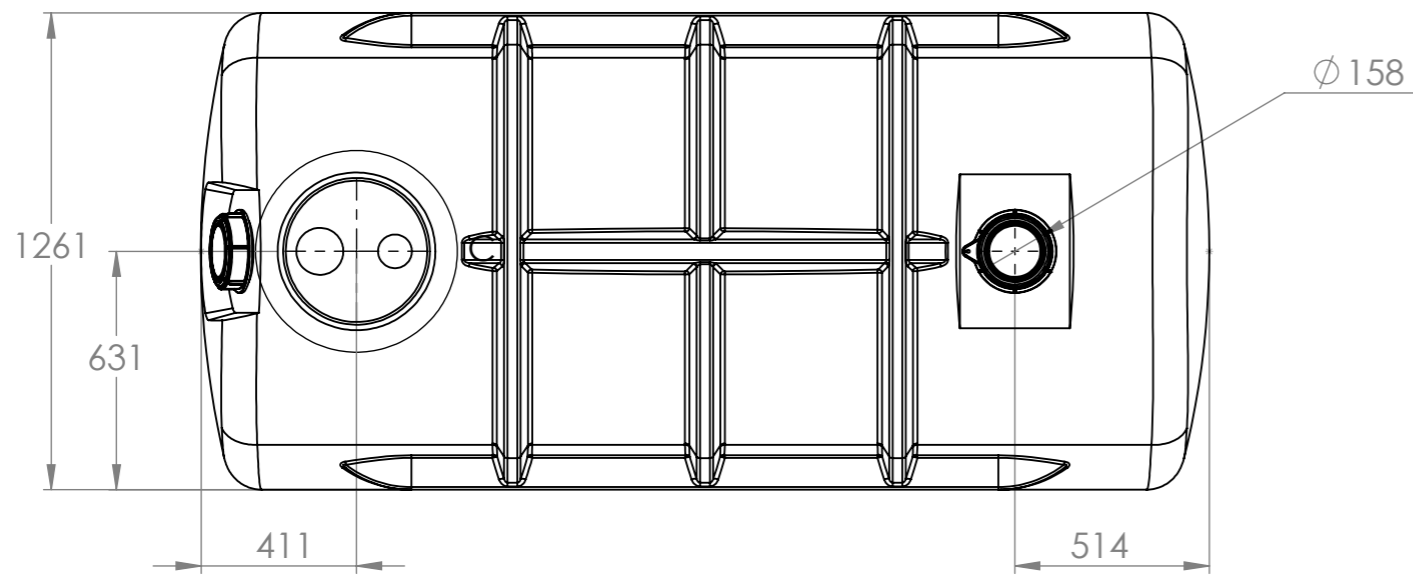
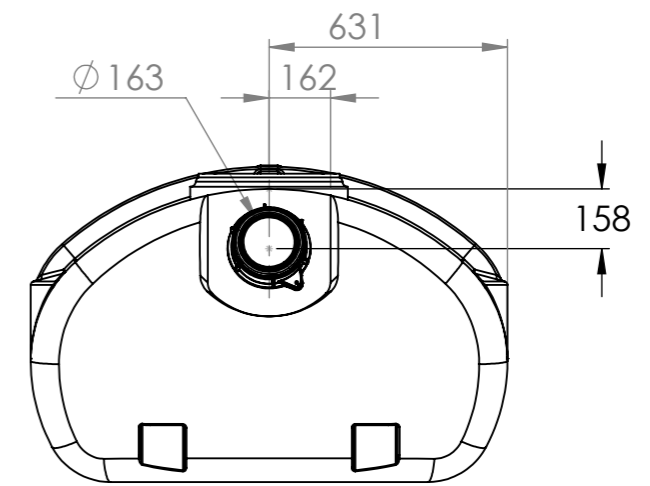
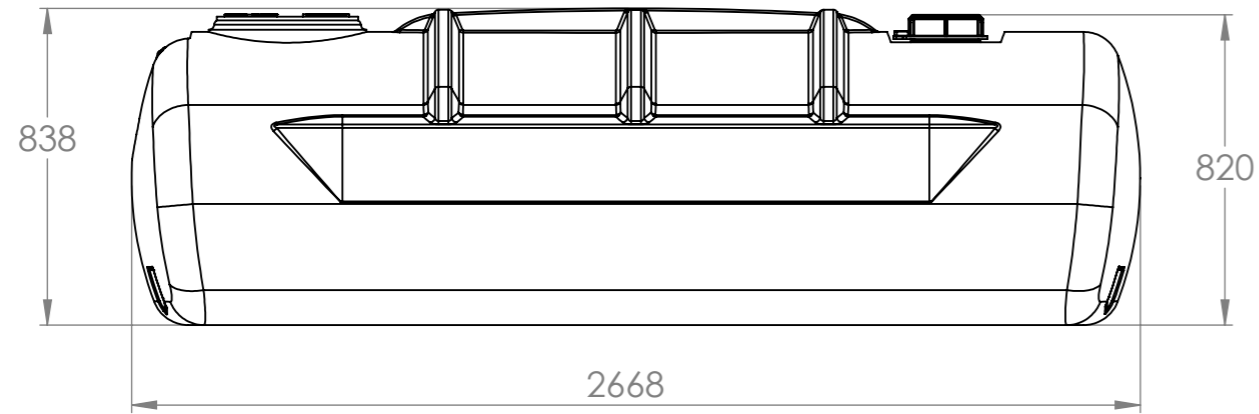
UNLESS OTHERWISE SPECIFIED: DIMENSIONS ARE IN MILLIMETERS SURFACE FINISH: TOLERANCES: NS-ISO-2768-1 LINEAR: ANGULAR:				FINISH:	DEBUR AND BREAK SHARP EDGES	DO NOT SCALE DRAWING	REVISION
NAME	SIGNATURE	DATE				 5722137 Industritank 21001 - MK	
DRAWN	M.P	02.05.2012					
CHK'D							
APPV'D							
MFG							
Q.A				MATERIAL:		DWG NO.	A3
This drawing and design is the property of Cipax. Copying and distribution of the drawing or any contents is prohibited without the written permission from authorised personal at Cipax.				PELD		945 -39	
				WEIGHT:		SCALE:1:10	SHEET 1 OF 3



DETAIL A
SCALE 1 : 10



UNLESS OTHERWISE SPECIFIED: DIMENSIONS ARE IN MILLIMETERS SURFACE FINISH: TOLERANCES: NS-ISO-2768-1 LINEAR: ANGULAR:				FINISH:	DEBUR AND BREAK SHARP EDGES	DO NOT SCALE DRAWING	REVISION
						CIPAX	
						5722137 Industritank 2000I MK-tank	
DRAWN M.P.				SIGNATURE	DATE 02.05.2012	TITLE:	
CHK'D						DWG NO.	
APPV'D						946 - 39	
MFG						SCALE:1:20	
Q.A				MATERIAL: PELD		SHEET 2 OF 3	
This drawing and design is the property of Cipax. Copying and distribution of the drawing or any contents is prohibited without the written permission from authorised personal at Cipax.						A3	



DETAIL C
SCALE 1 : 10



UNLESS OTHERWISE SPECIFIED: DIMENSIONS ARE IN MILLIMETERS SURFACE FINISH: TOLERANCES: NS-ISO-2768-1 LINEAR: ANGULAR:				FINISH:		DEBUR AND BREAK SHARP EDGES		DO NOT SCALE DRAWING		REVISION	
DRAWN M.P.				SIGNATURE		DATE 08.05.2012		TITLE:			
CHK'D								5722137			
APPV'D								Industritank 2000I MK-tank			
MFG								DWG NO.		A3	
Q.A								MATERIAL:		947 - 39	
This drawing and design is the property of Cipax. Copying and distribution of the drawing or any contents is prohibited without the written permission from authorised personal at Cipax.								PELD		SCALE:1:20	
								WEIGHT:		SHEET 3 OF 3	