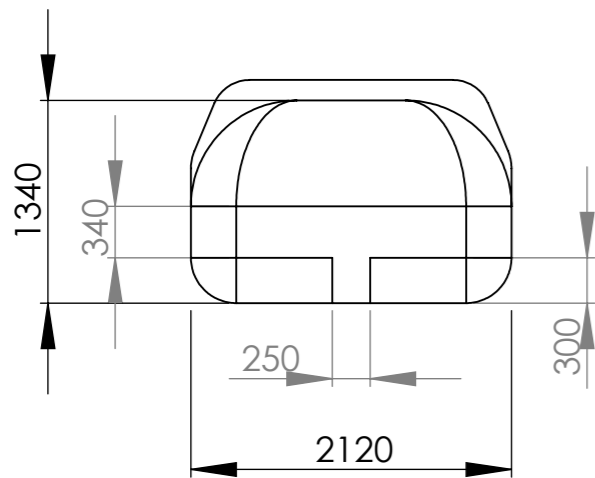
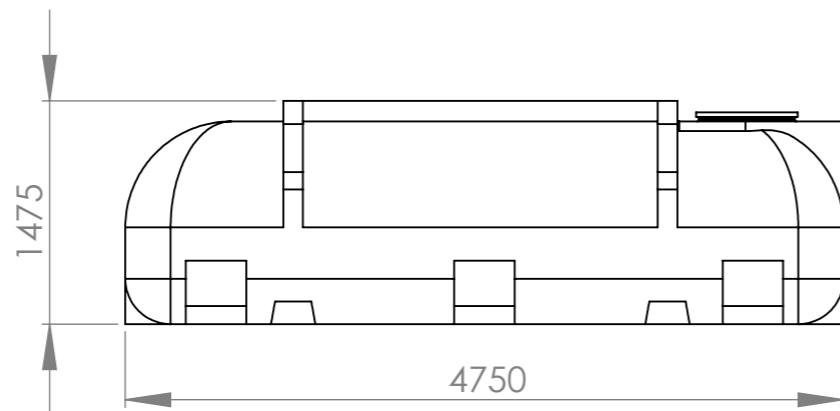


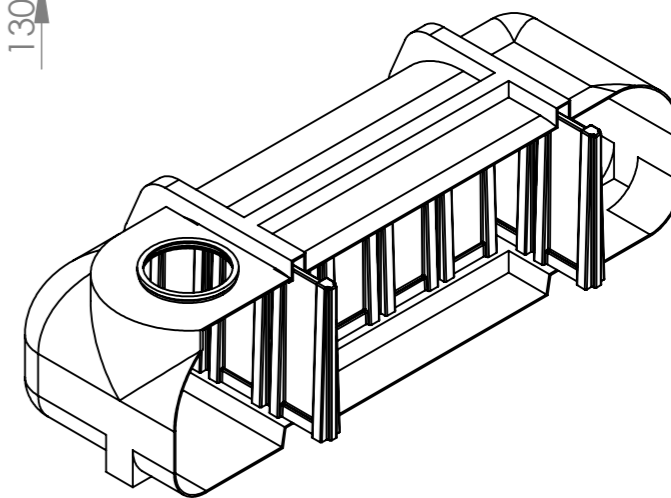
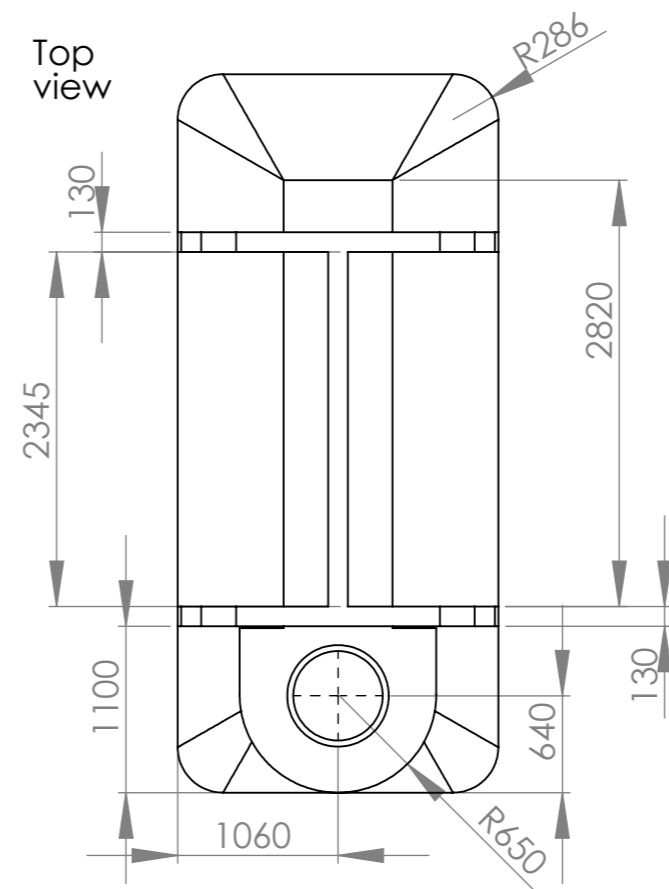
Back view



Left view



Top view

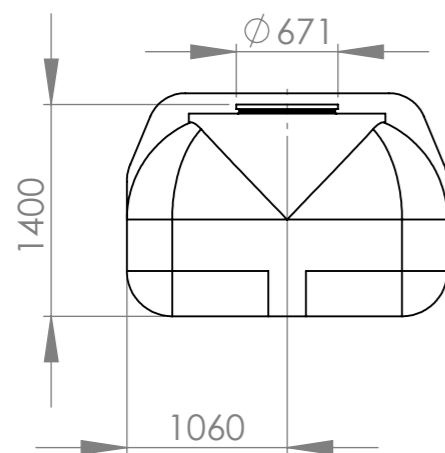


C

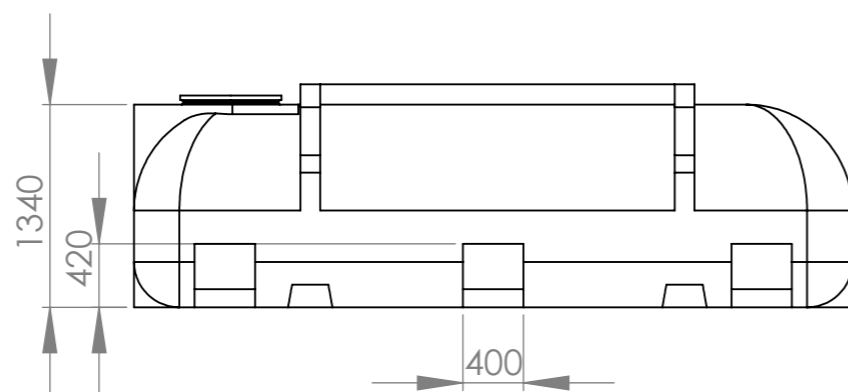
D

E

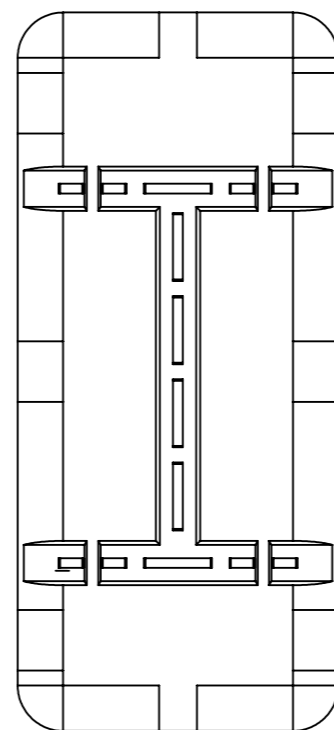
Front view



Right view



Bottom view



Opphavsrett / Copyright  
© Copyright Cipax AS

UNLESS OTHERWISE SPECIFIED: DIMENSIONS ARE IN MILLIMETERS SURFACE FINISH: TOLERANCES: LINEAR: ANGULAR:		FINISH:	DEBUR AND BREAK SHARP EDGES
NAME	DATE	SIGNATURE	
DRAWN Rigmor Andreassen	12.06.2009		
CHK'D Trond Magne Aamodt			
APPV'D			
MFG			
Q.A			
COMMENT: Simplified drawing. Not for production.	MATERIAL: PE, LLD	WEIGHT:	



TITLE:  
**1423521**  
**Container, closed**  
**11000 litres**

DWG NO.	<b>552-34</b>	A3
DO NOT SCALE DRAWING	REVISION	SCALE:1:50

SHEET 1 OF 1