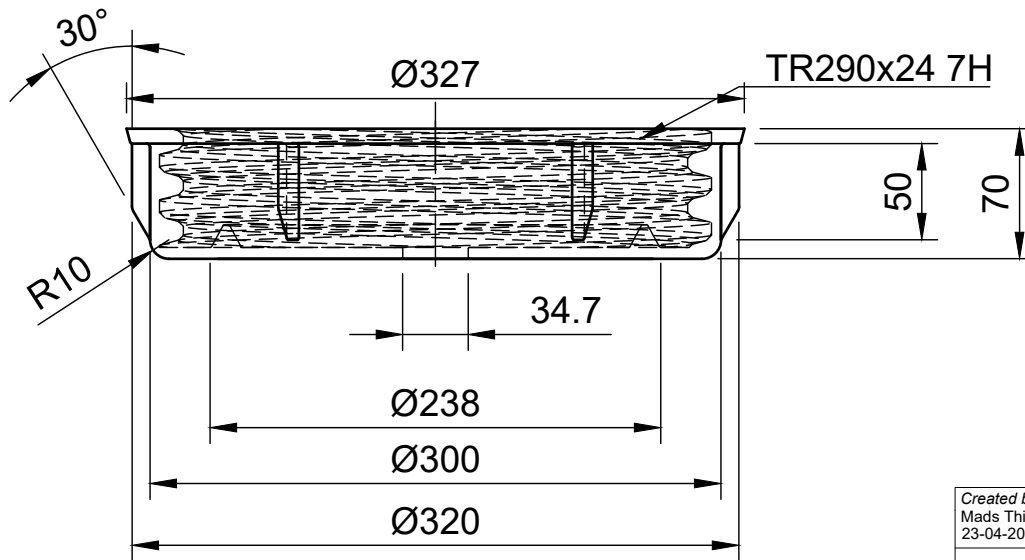
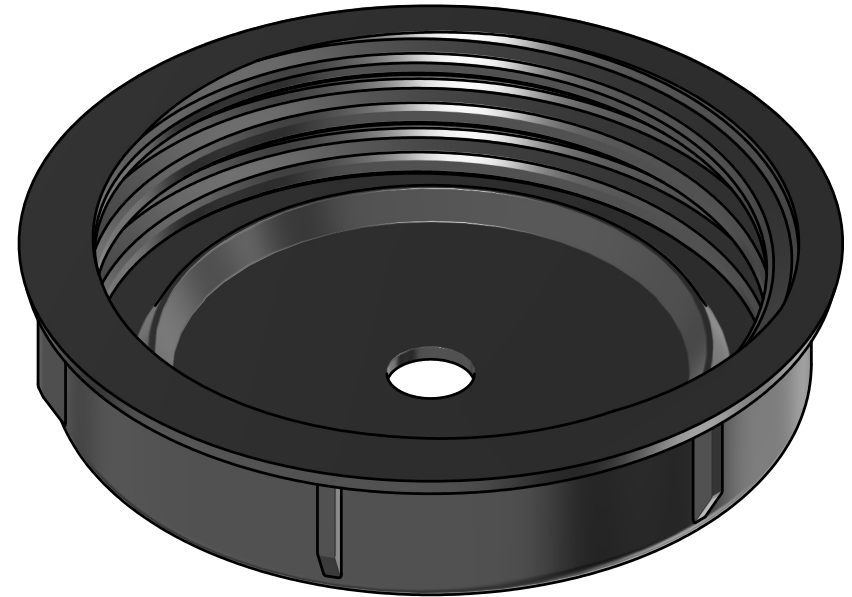
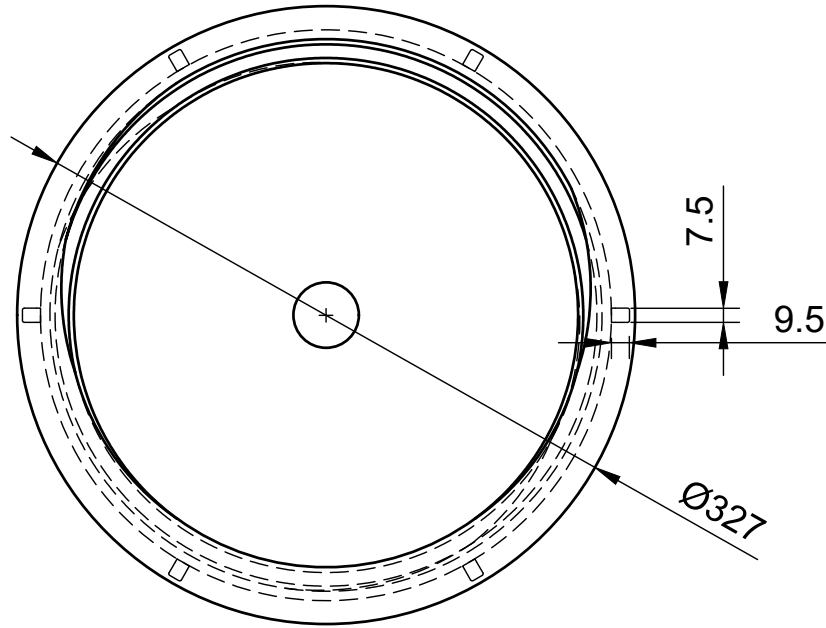


This drawing and design is the property of Cipax. Copying and distribution of the drawing or any contents is prohibited without written permission from authorised personnel at Cipax.

Revision History

Rev	Description	Date	Approved
-----	-------------	------	----------



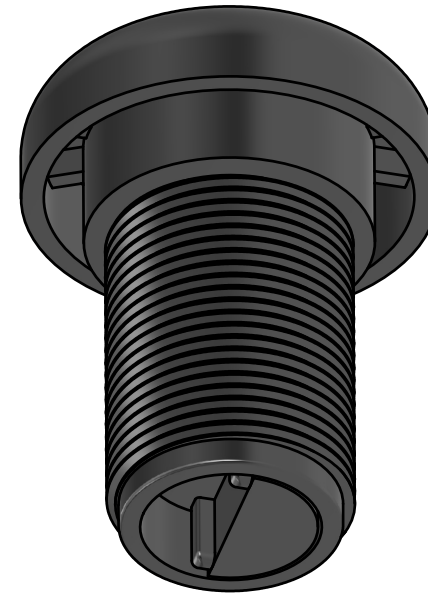
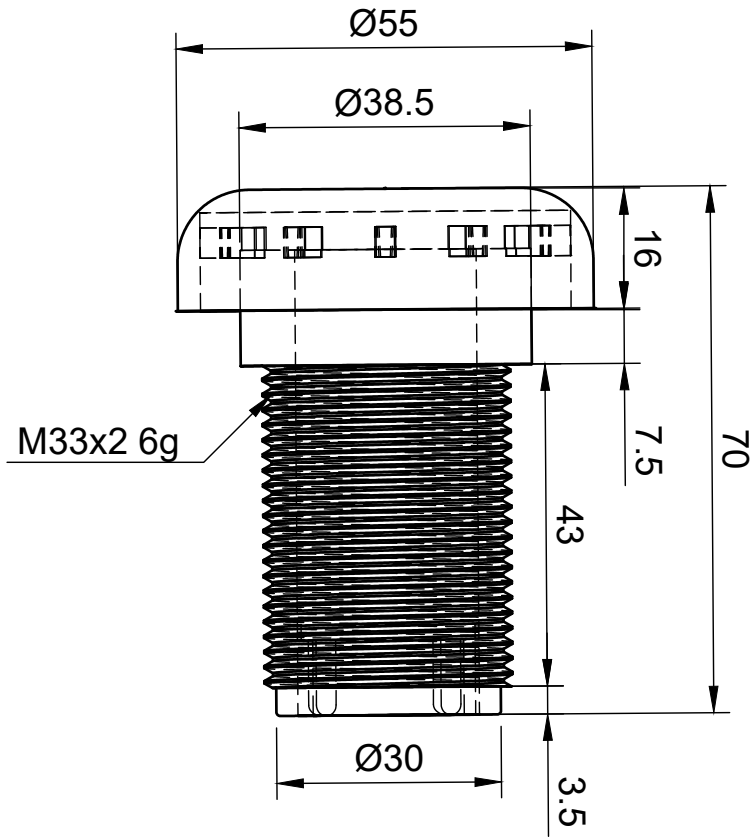
Created by: Mads Thillemann 23-04-2026	Checked by:	Approved by:	Approval date:	General tolerances: DS-ISO 2768-1	General roughness, Ra	Placement: ⊕ ⊗	Scale: 1:4
----------------------------------------------	-------------	--------------	----------------	--------------------------------------	--------------------------	-------------------	---------------



Title: 700-2\_Lid

Art No.	Rev.	Sheet: 1/1
---------	------	---------------

This drawing and design is the property of Cipax.  
 Copying and distribution of the drawing or any contents is prohibited without written  
 permission from authorised personnel at Cipax.



Revision History			
Rev	Description	Date	Approved

Created by: Mads Thillemann 23-04-2026	Checked by:	Approved by:	Approval date:	General tolerances: DS-ISO 2768-1	General roughness, Ra	Placement: ⊕ ⊗	Scale: 1:1
				Title: 700-2_Lid_Valve			
				Art No.		Rev.	Sheet: 1/1