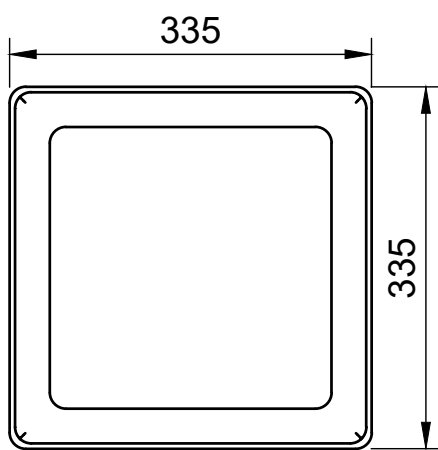


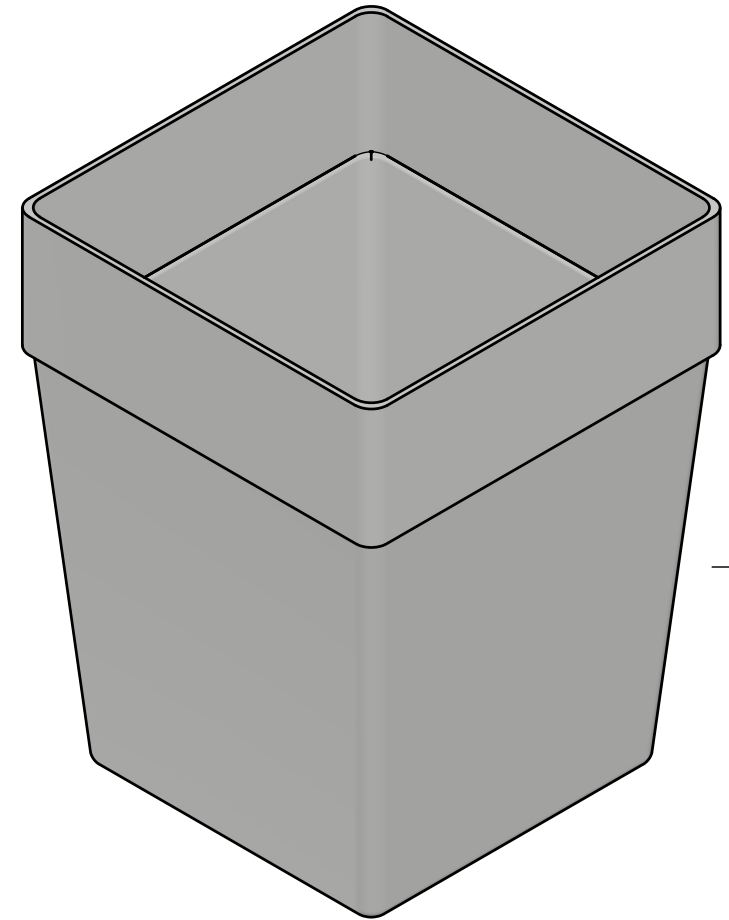
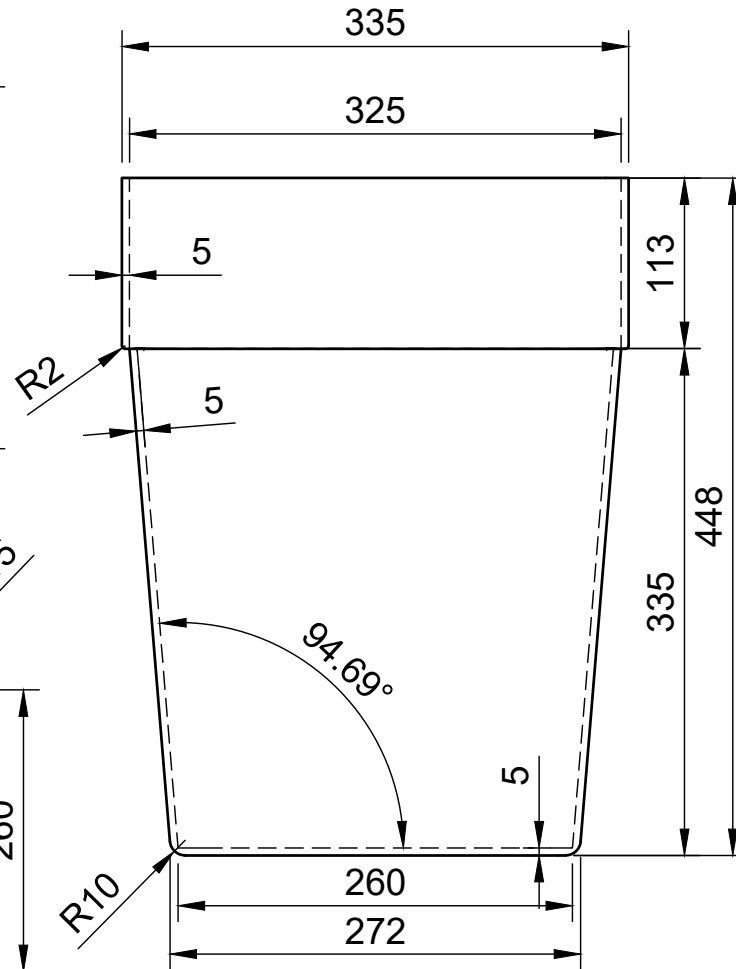
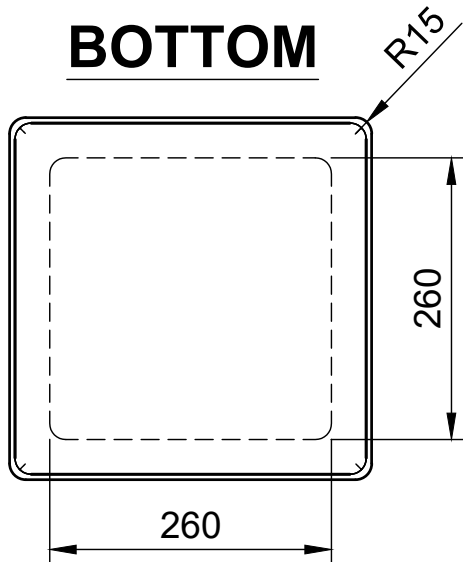
Revision History

Rev	Description	Date	Approved
-----	-------------	------	----------

TOP



BOTTOM



This drawing and design is the property of CIPAX. Copying and distribution of the drawing or any contents is prohibited without written permission from authorised personnel at CIPAX

Created by: Mads Thillemann 24-03-2026	Checked by:	Approved by:	Approval date:	General tolerances: DS-ISO 2768-1	General roughness, Ra	Placement: ⊕ ⊗	Scale: 1:7
--	-------------	--------------	----------------	--------------------------------------	--------------------------	-------------------	---------------



Title: Firkantet Konisk Industrispand 35L

Art No. 35-9

Rev. Sheet:
1/1