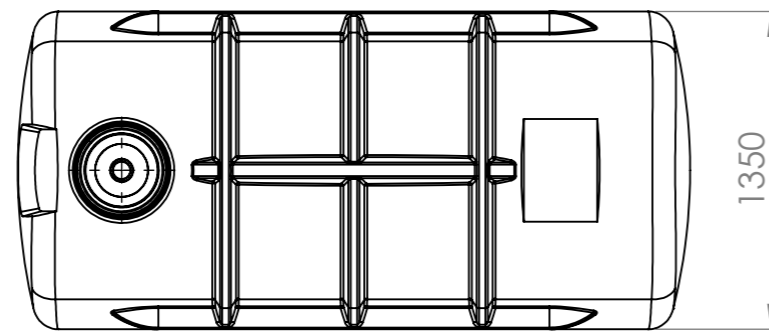
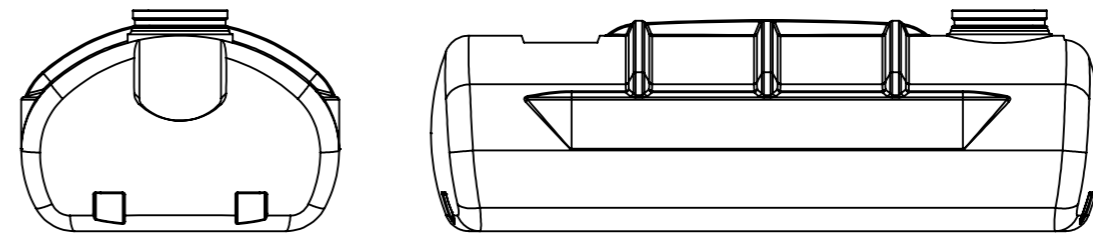
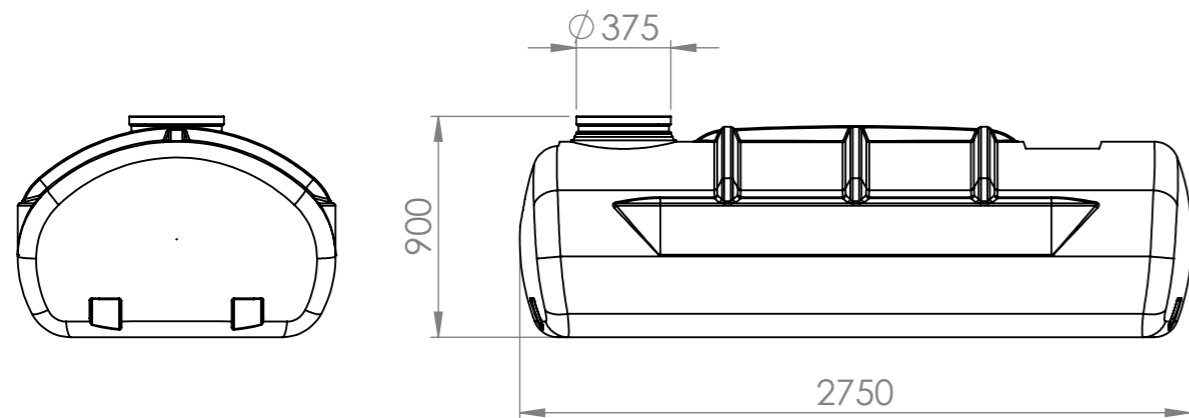
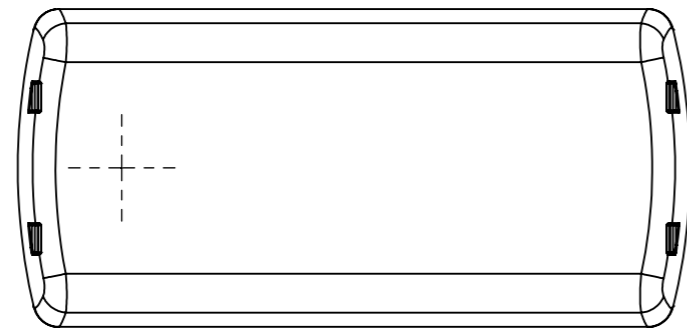


1 2 3 4 5 6 7 8

A
B
C
D
E
F



Generelle toleranser om ikke annet er oppgitt på tegning	Tilatte avvik for måleområde. Gjelder ved +20°C				
General tolerances if not other stated on drawing	Permissible deviations for basic length size range. Valid +20°C				
	0-20	>20-75	>75-150	>150-300	>300
	±0,5mm	±1mm	±1,5mm	±1,3%	±1%

Constructed by - date	Evaluated by	Approved by - date	General Tolerances	Finish, Ra	View	Scale	
GEP 11.09.2020			NS-ISO 2768-1	LDPE		1:30	
Owner			Titel/Description				
			21608 - CPX 2100L				
			Drawing number		Revision	Sheet size	Sheet
			1302 - 313			A3	1(1)

1 2 3 4 5 6 7 8