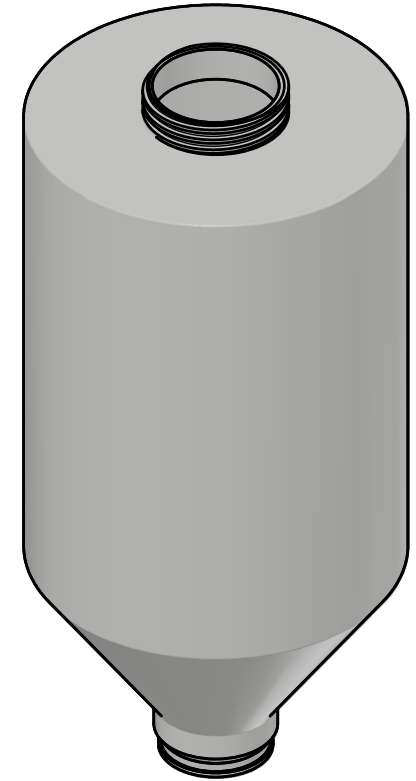
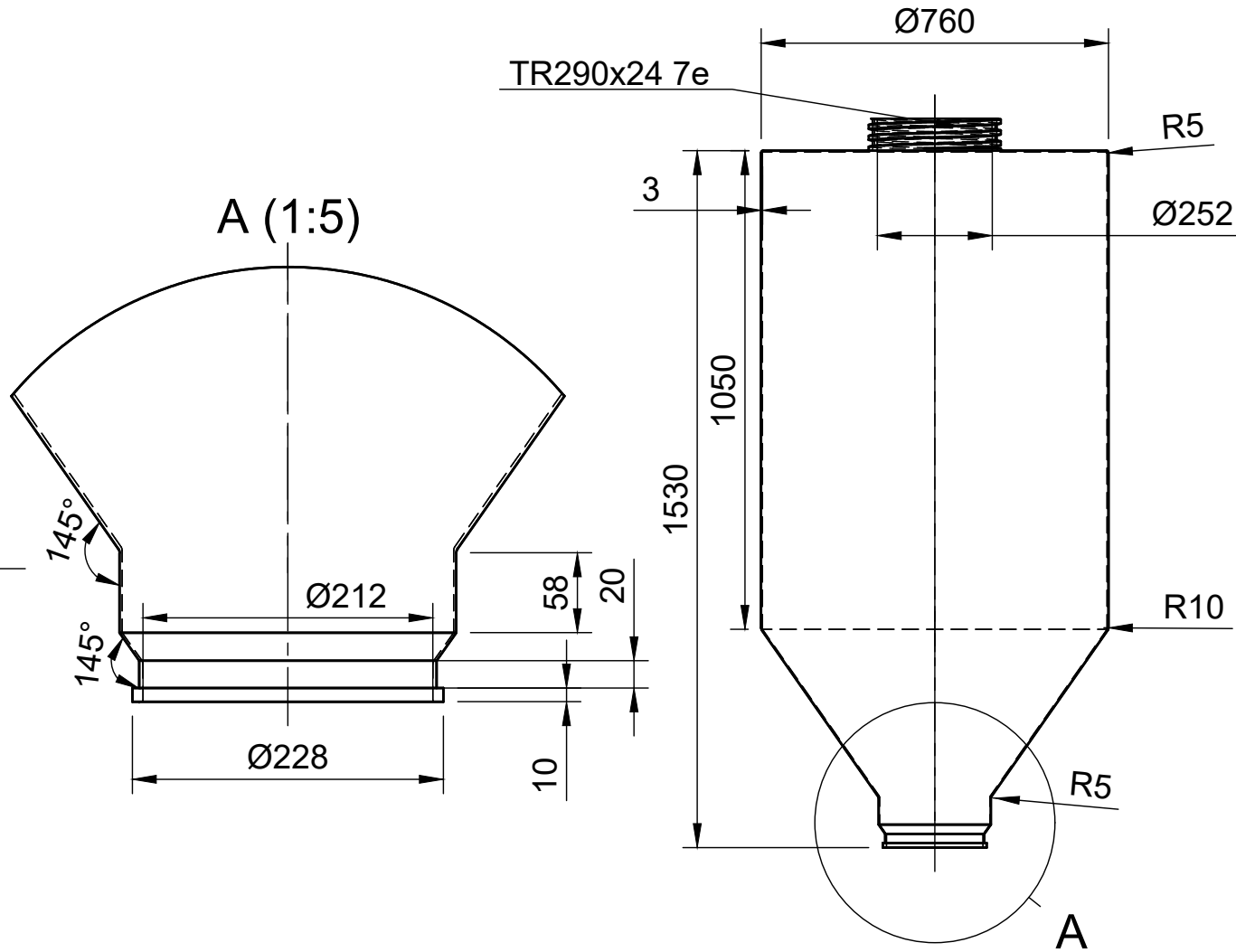


This drawing and design is the property of Cipax. Copying and distribution of the drawing or any contents is prohibited without written permission from authorised personnel at Cipax.

Revision History			
Rev	Description	Date	Approved



Created by: Mads Thillemann 08-04-2026	Checked by:	Approved by:	Approval date:	General tolerances: DS-ISO 2768-1	General roughness, Ra	Placement: ⊕ ⊗	Scale: 1:15
			Title: 700-2		Rev. 1/1		
			Art No.		Sheet: 1/1		