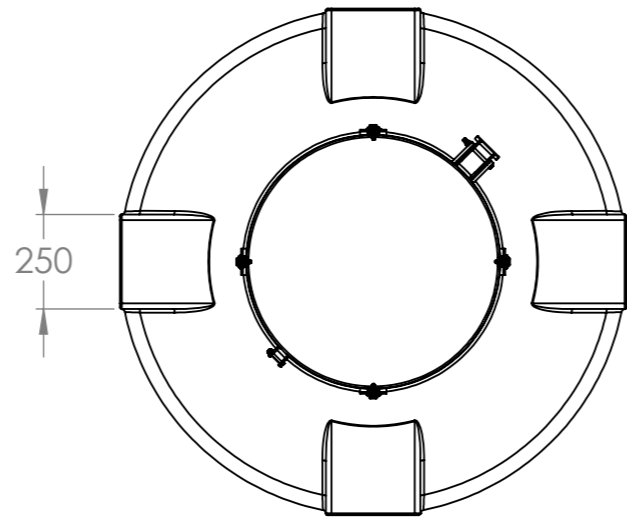
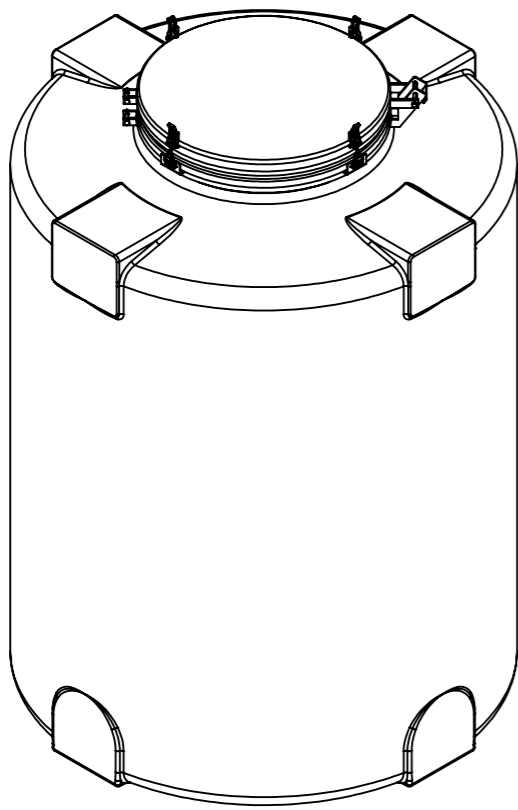
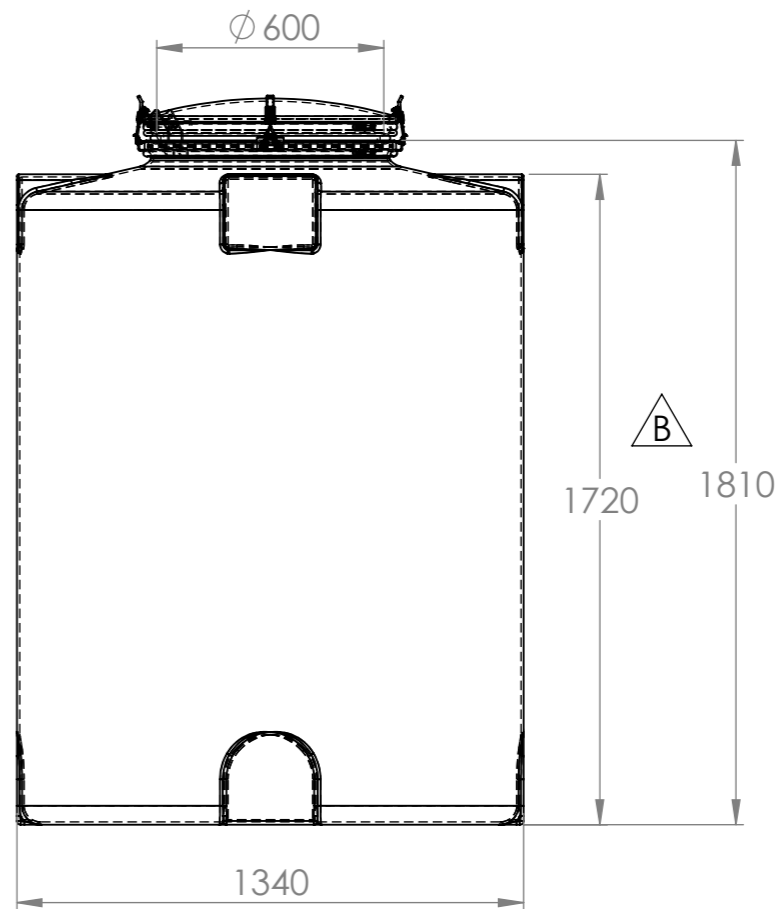
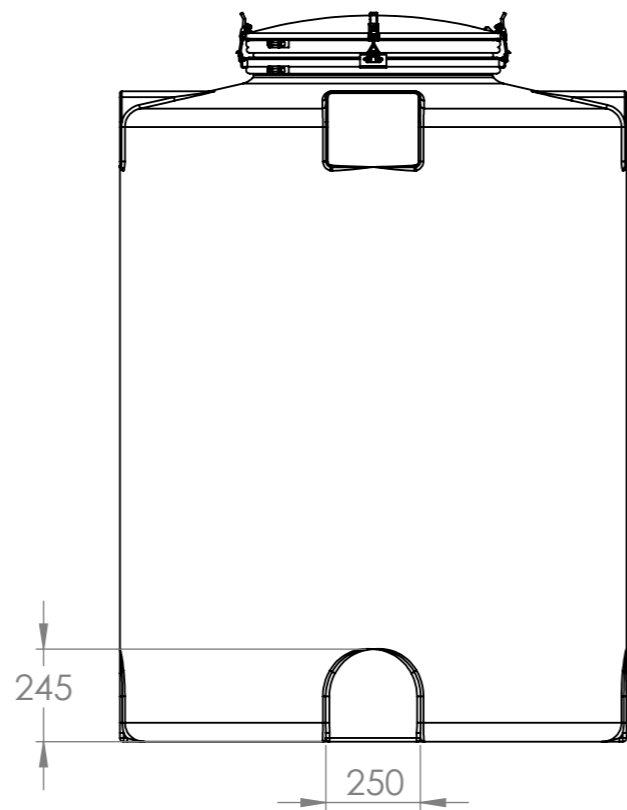
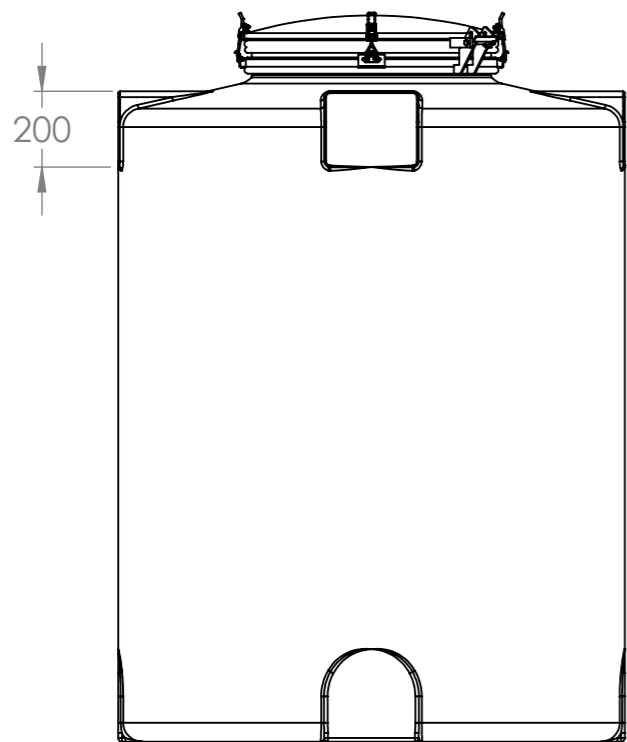


| REVISIONS | | | | |
|-----------|------|---------------------------------|------------|------------|
| ZONE | REV. | DESCRIPTION | DATE | APPROVED |
| E2 | B | Adjustet size after measurement | 04.06.2026 | 04.06.2026 |

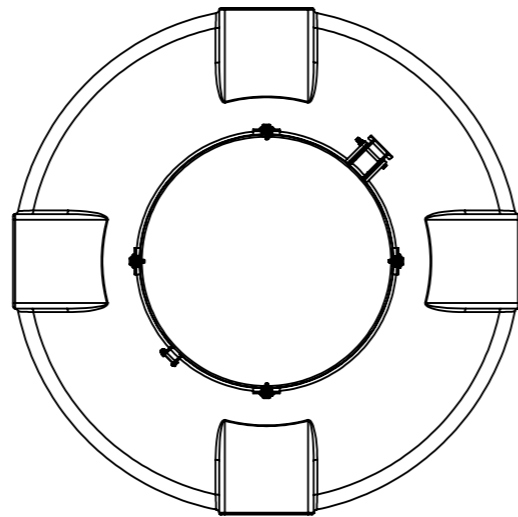
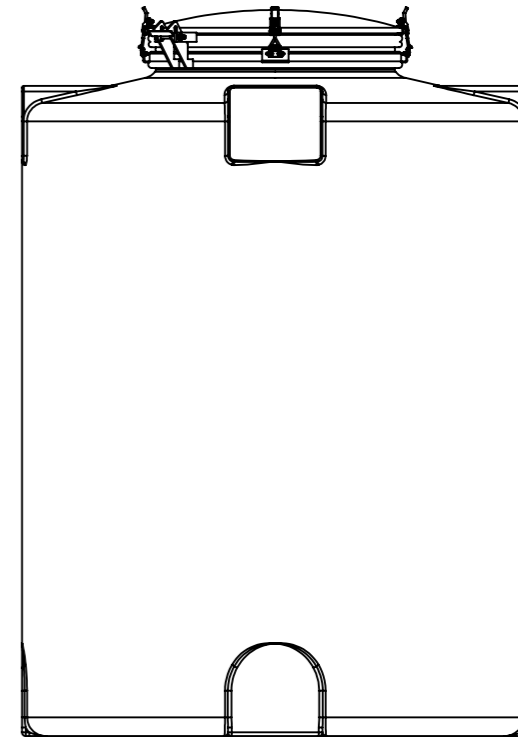
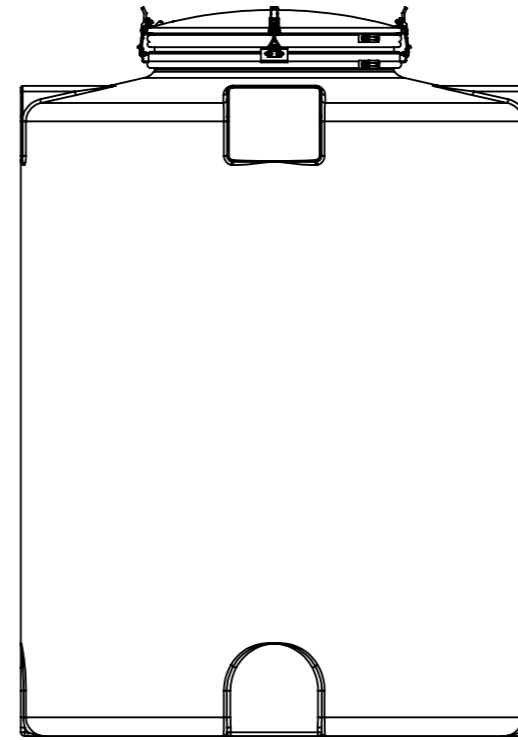
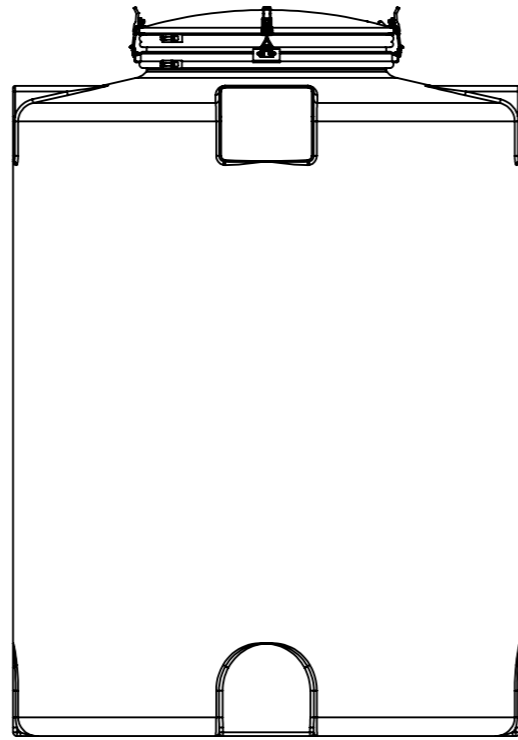
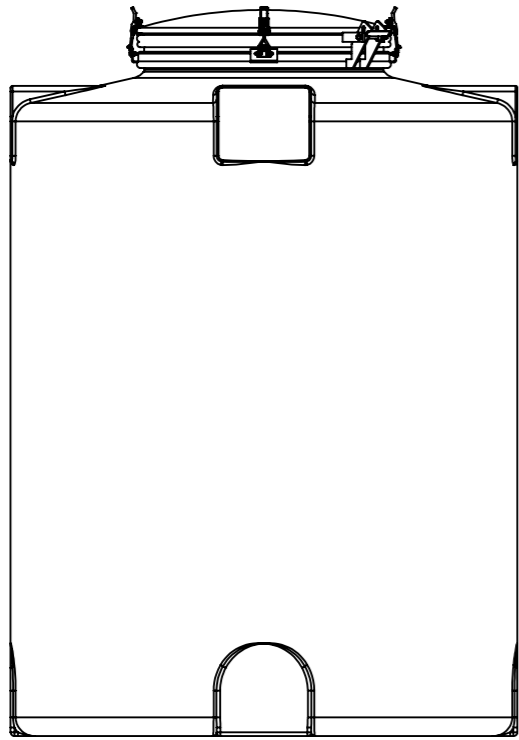
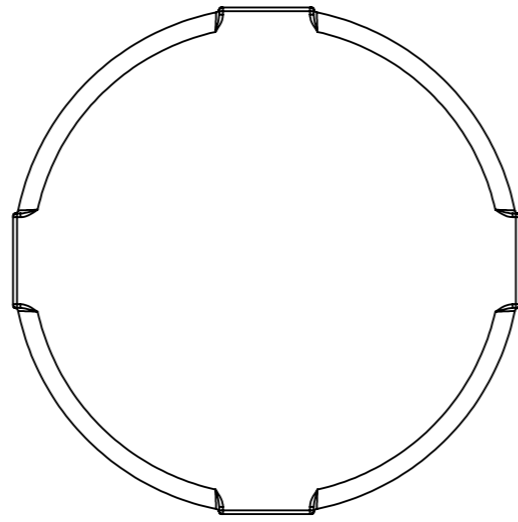


For tare weight 1.85 kg/dm³

*Manhole requires 800mm space to open fully compared to maximum height.

| | | | | | |
|--|---|--------|---------|----------|------|
| Generelle toleranser om ikke annet er oppgitt på tegning | Tilatte avvik for måleområde. Gjelder ved +20°C | | | | |
| General tolerances if not other stated on drawing | Permissible deviations for basic length size range. Valid +20°C | | | | |
| | 0-20 | >20-75 | >75-150 | >150-300 | >300 |
| | ±0,5mm | ±1mm | ±1,5mm | ±1,3% | ±1% |

| | | | | | | |
|-----------------------|--------------|--------------------|-----------------------|------------|------------|-------|
| Constructed by - date | Evaluated by | Approved by - date | General Tolerances | Finish, Ra | View | Scale |
| GEP 13.12.2023 | GEP | 04.06.2026 | NS-ISO 2768-1 | PE | | 1:20 |
| Owner | | | Titel/Description | | | |
| | | | 12010 - CPX 2200L Nat | | | |
| | | | Drawing number | Revision | Sheet size | Sheet |
| | | | 1424 - 314 | B | A3 | 1(2) |



| | | | | | |
|--|---|--------|---------|----------|------|
| Generelle toleranser om ikke annet er oppgitt på tegning | Tilatte avvik for måleområde. Gjelder ved +20°C | | | | |
| General tolerances if not other stated on drawing | Permissible deviations for basic length size range. Valid +20°C | | | | |
| | 0-20 | >20-75 | >75-150 | >150-300 | >300 |
| | ±0,5mm | ±1mm | ±1,5mm | ±1,3% | ±1% |

| | | | | | | |
|-----------------------|--------------|--------------------|-----------------------|------------|------------|-------|
| Constructed by - date | Evaluated by | Approved by - date | General Tolerances | Finish, Ra | View | Scale |
| GEP 13.12.2023 | GEP | 04.06.2026 | NS-ISO 2768-1 | PE | | 1:20 |
| Owner | | | Titel/Description | | | |
| | | | 12010 - CPX 2200L Nat | | | |
| | | | Drawing number | Revision | Sheet size | Sheet |
| | | | 1424 - 314 | B | A3 | 2(2) |