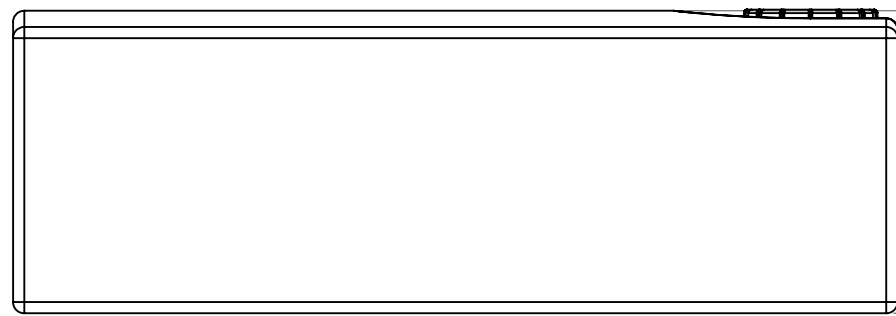
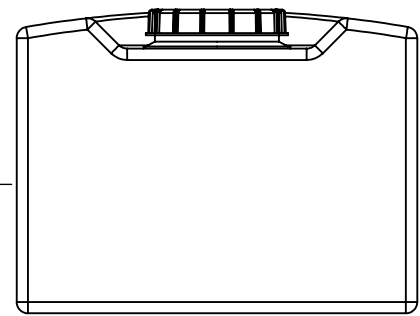
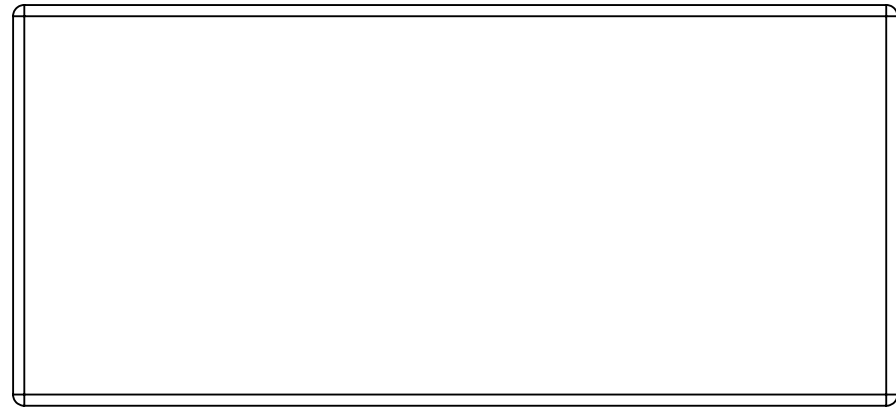
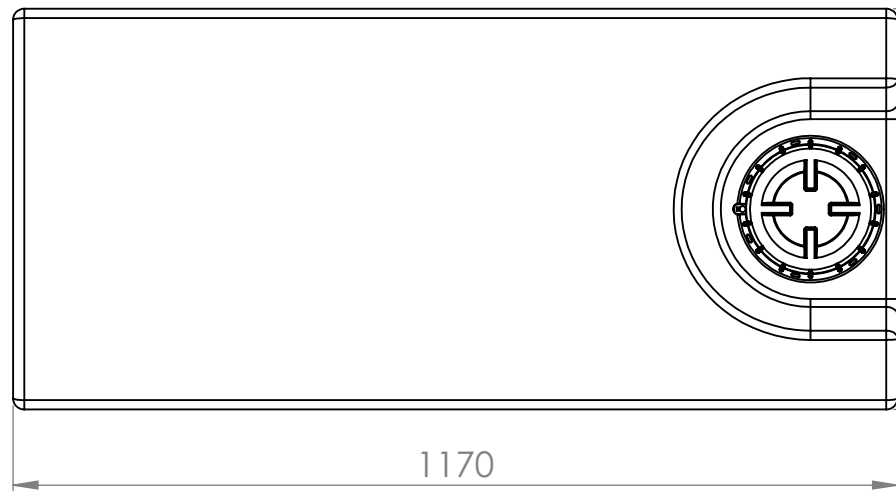
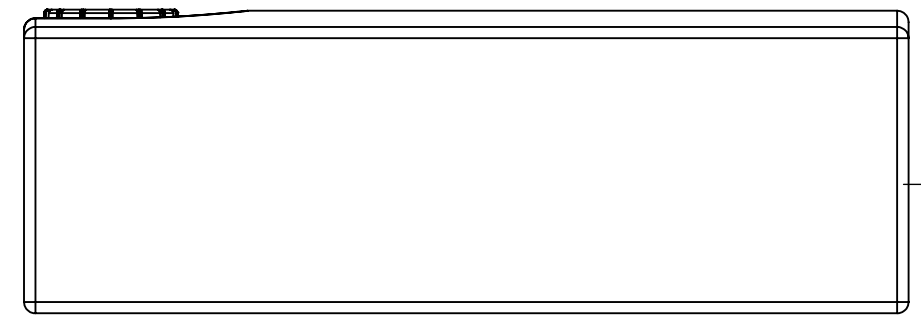
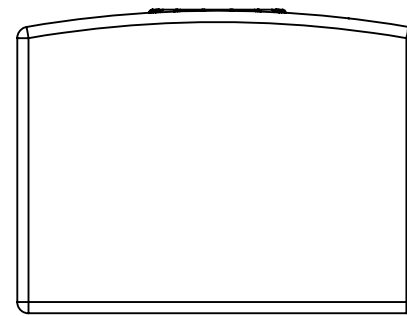


ZONE	REV.	DESCRIPTION	DATE	APPROVED
	A	New neck, and lid 62607 150mm	01.06.2010	
	B	New layout and drawing number	23.10.2013	
	C	Updated to all views	10.09.2020	GEP

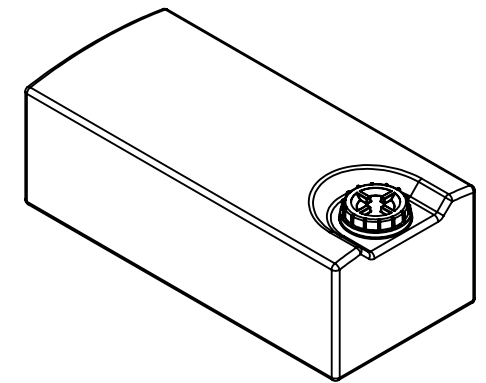


400



530

1170



Generelle toleranser om ikke annet er oppgitt på tegning	Tilatte avvik for måleområde. Gjelder ved +20°C				
General tolerances if not other stated on drawing	Permissible deviations for basic length size range. Valid +20°C				
	0-20	>20-75	>75-150	>150-300	>300
	±0,5mm	±1mm	±1,5mm	±1,3%	±1%

Constructed by - date LH 22.10.2013	Evaluated by GEP	Approved by - date GEP 10.09.2020	General Tolerances NS-ISO 2768-1	Finish, Ra PE	View 	Scale 1:10
Owner 		Titel/Description 20200 CPX 200L Rekt		Revision C	Sheet size A3	Sheet 1(1)
		Drawing number 1070-310				