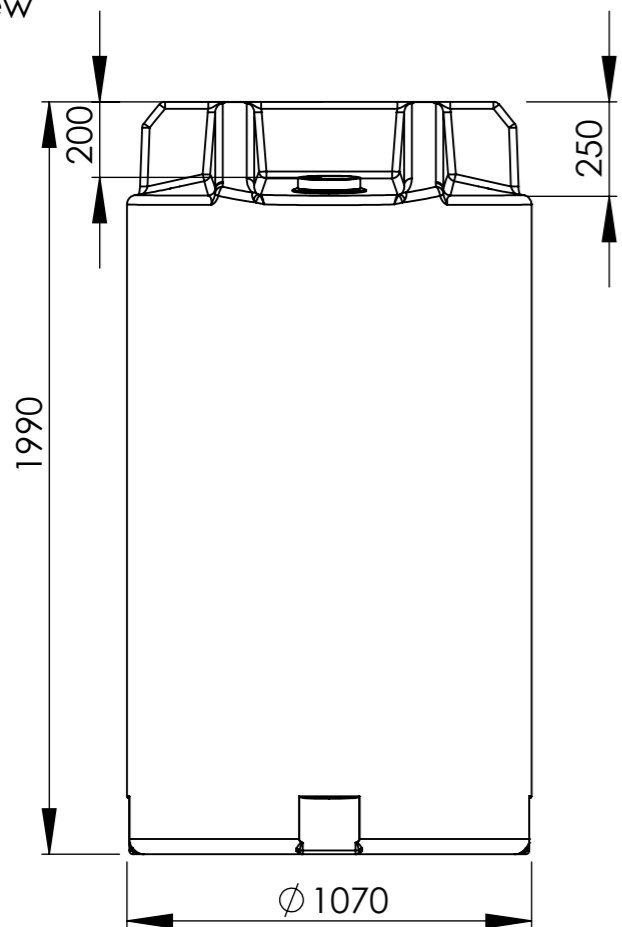
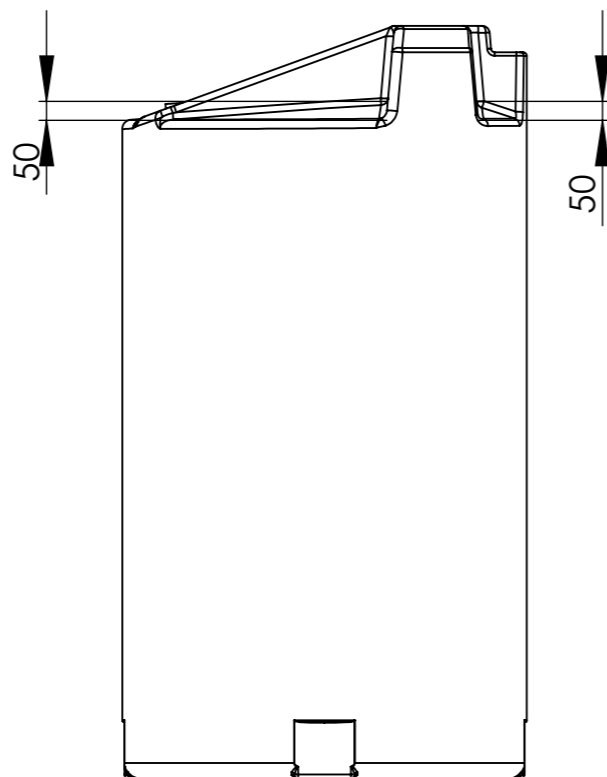


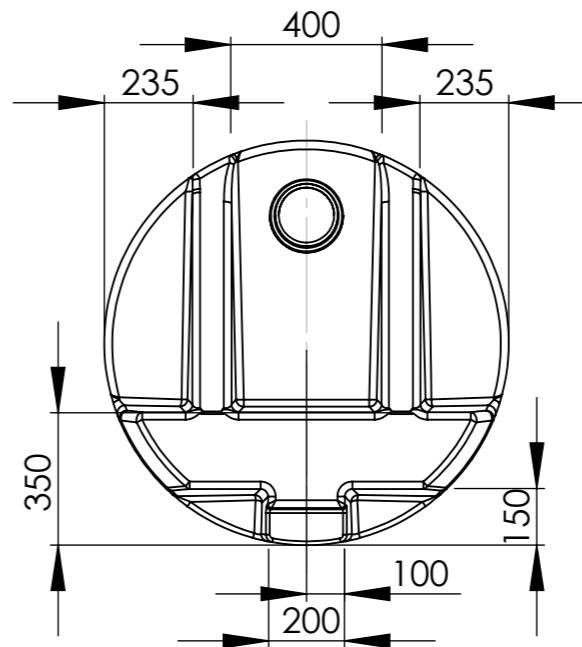
Back view



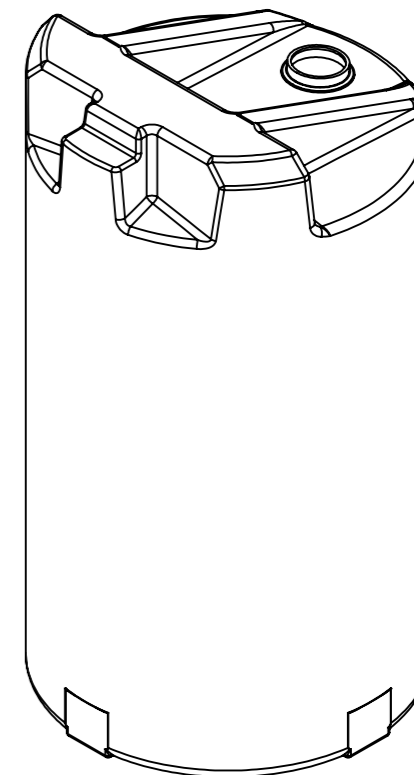
Left view



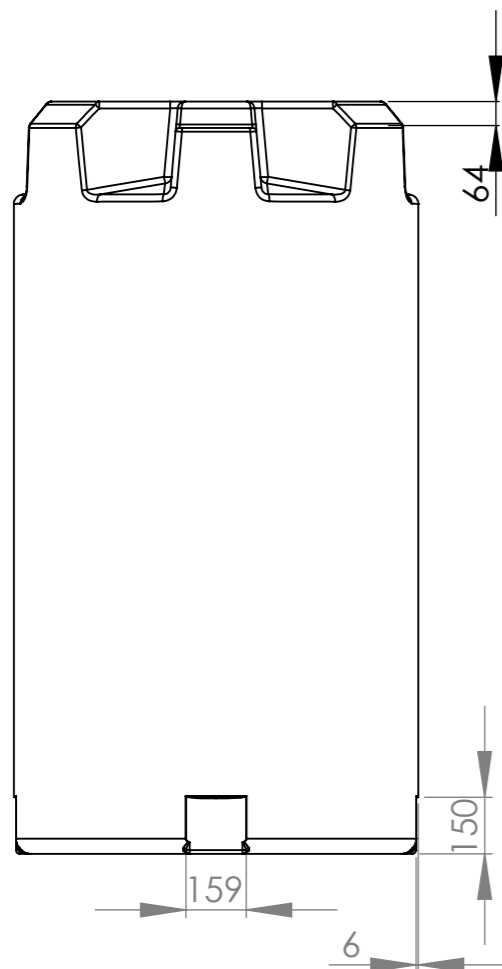
Top view



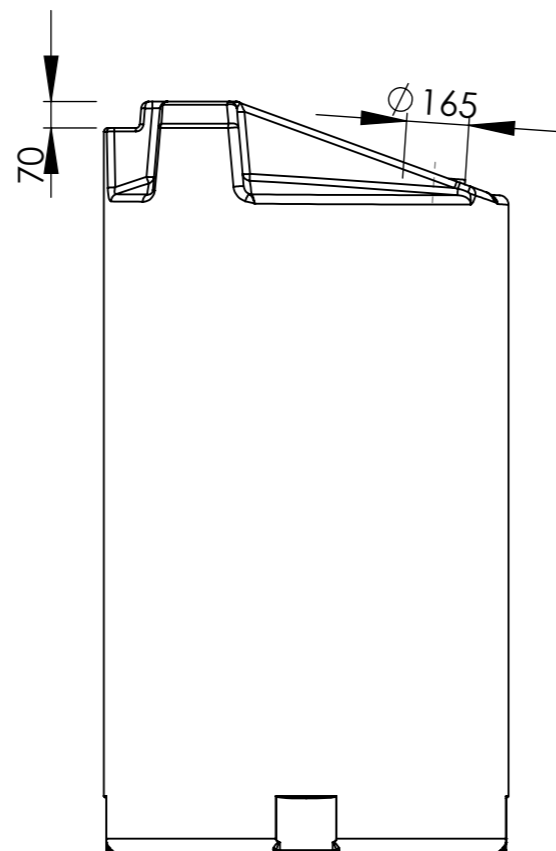
Screw Cap



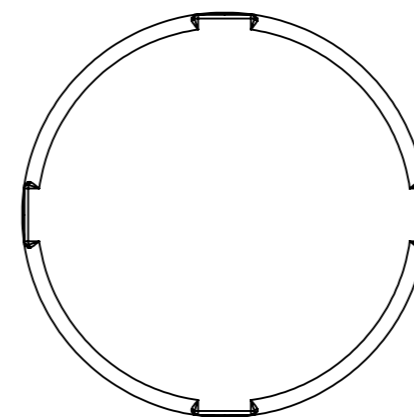
Front view



Right view



Bottom view



Opphavsrett / Copyright  
© Copyright Cipax AS

UNLESS OTHERWISE SPECIFIED: DIMENSIONS ARE IN MILLIMETERS SURFACE FINISH: TOLERANCES: LINEAR: ANGULAR:		FINISH:	DEBUR AND BREAK SHARP EDGES
NAME	DATE	SIGNATURE	
DRAWN Rigmor Andreassen	02.04.2009		
CHK'D Trond Magne Aamodt			
APPV'D			
MFG			
Q.A			
COMMENT:	MATERIAL:	PE, LLD	
	WEIGHT:		



TITLE:  
**11015**  
**Container, cylindrical**  
**1500 litres**

DWG NO. **523-34**

A3

SHEET 1 OF 1

DO NOT SCALE DRAWING REVISION

SCALE:1:20