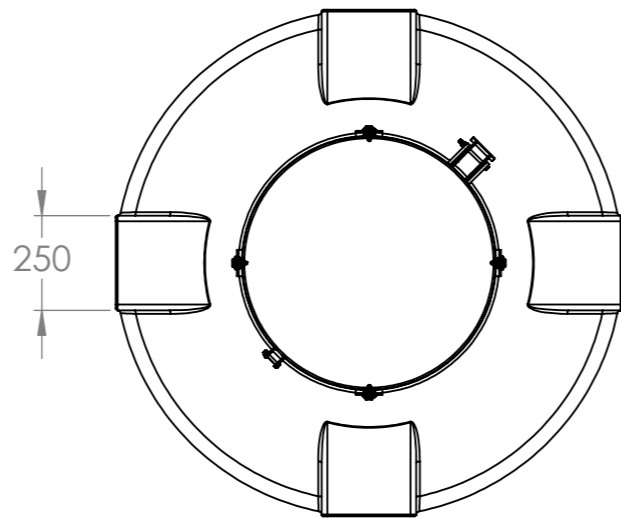
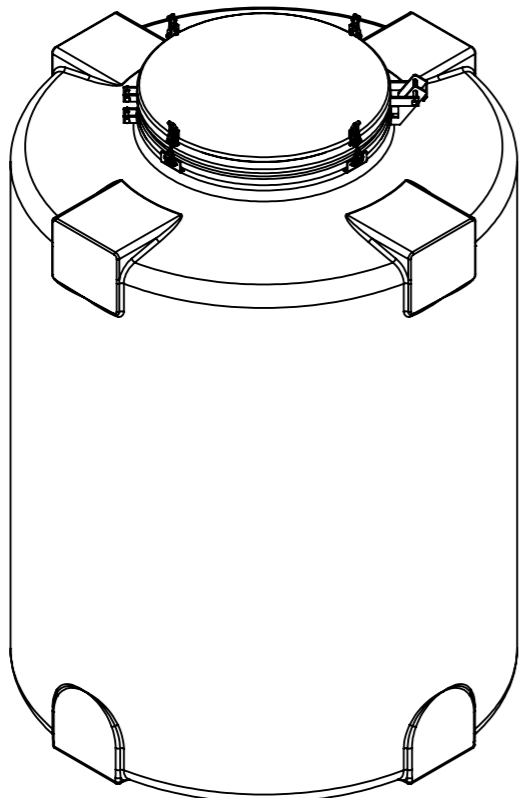
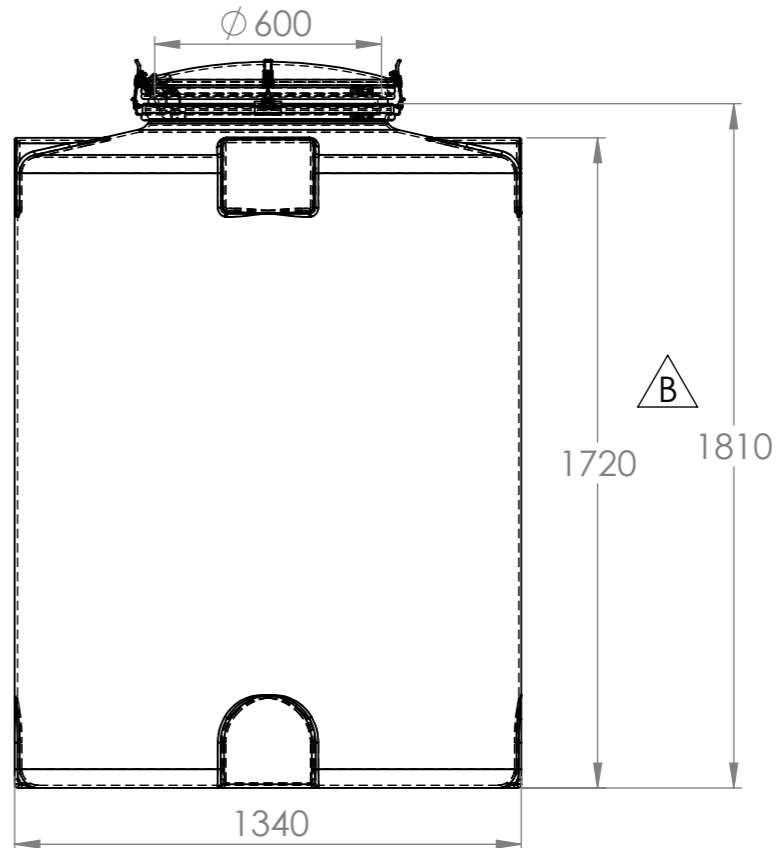
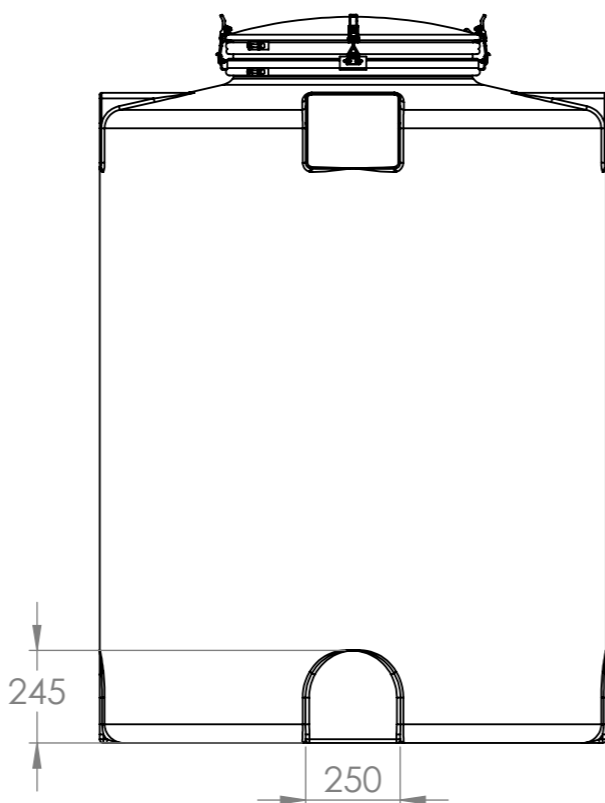
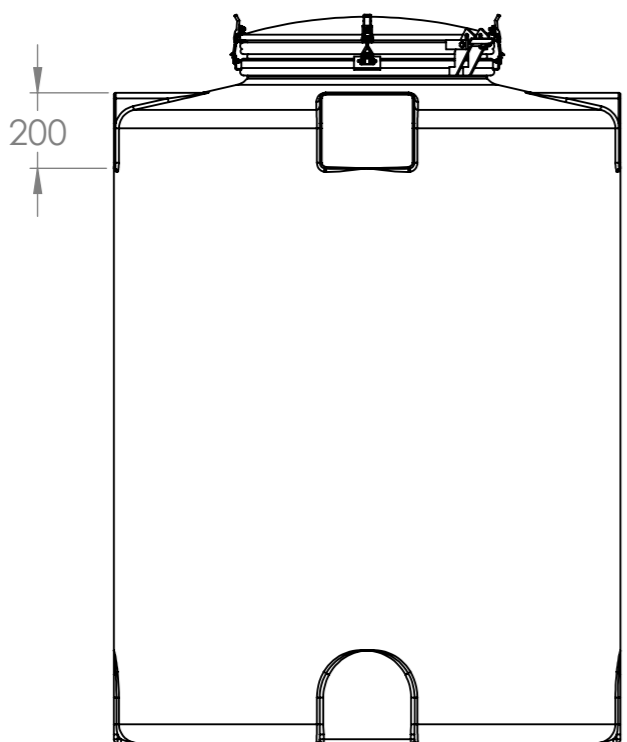


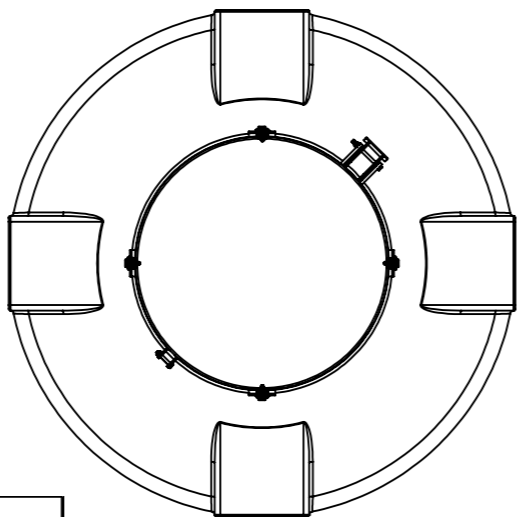
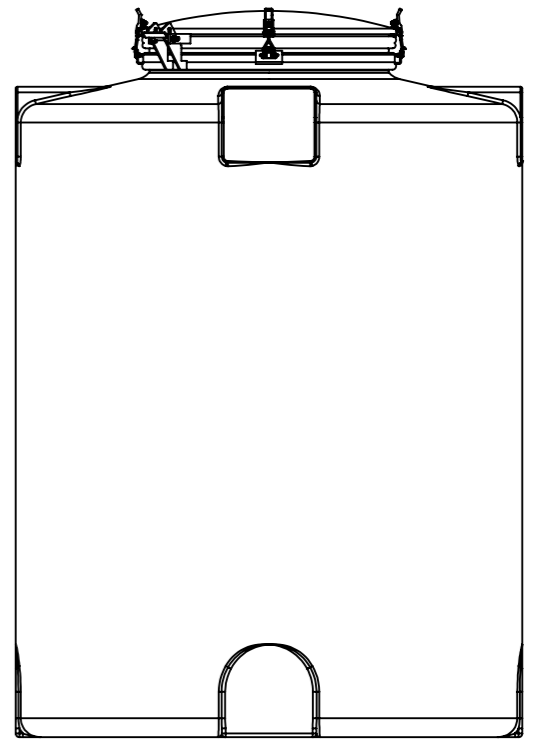
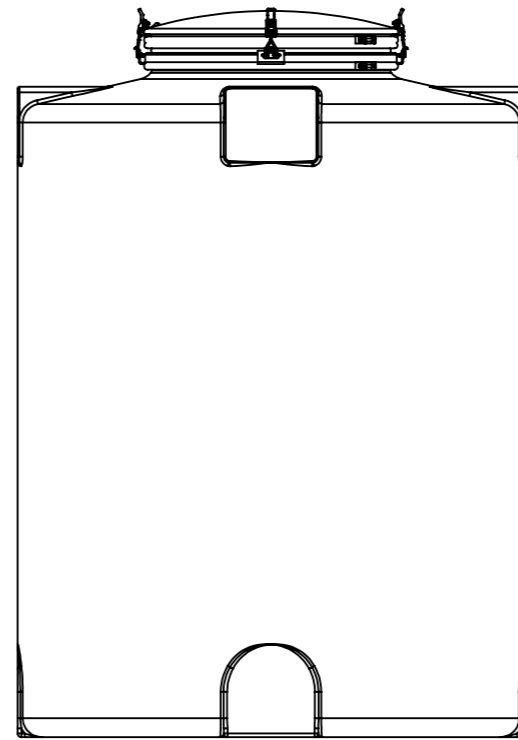
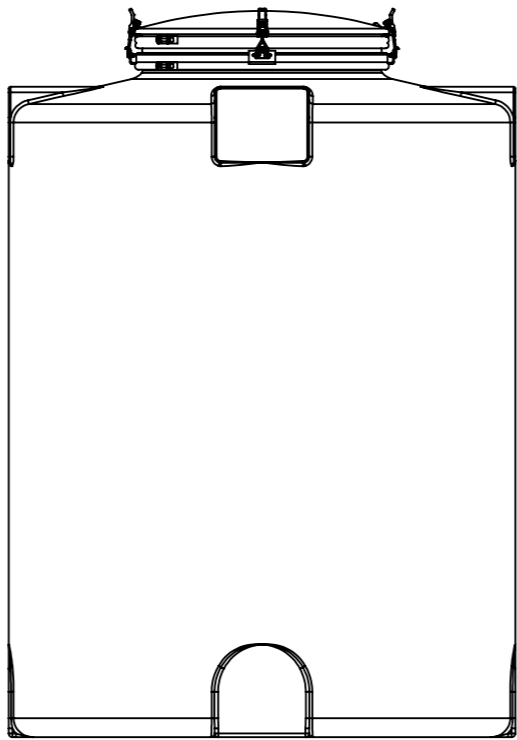
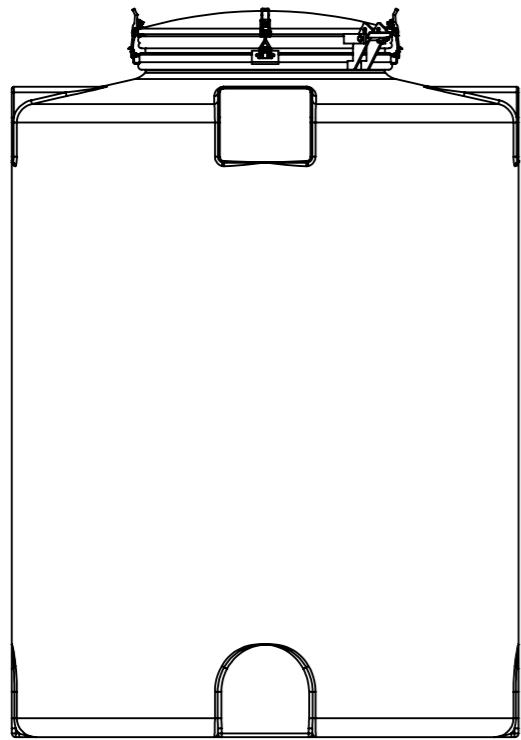
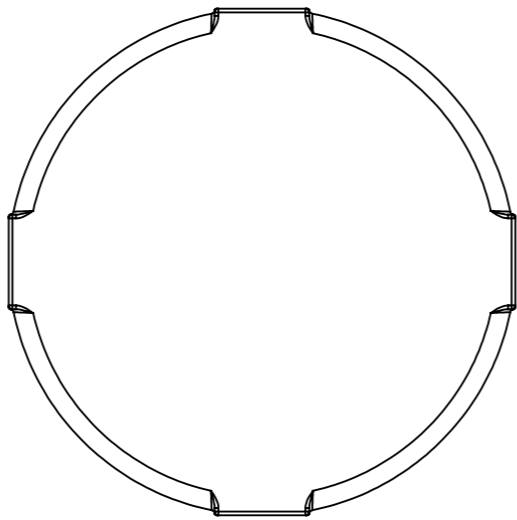
REVISIONS				
ZONE	REV.	DESCRIPTION	DATE	APPROVED
E2	B	Adjusted size after measurement	04.06.2026	GEP



For tare weight 1.85 kg/dm<sup>3</sup>  
 \*Manhole requires 800mm space to fully open compared to maximum height.

Generelle toleranser om ikke annet er oppgitt på tegning	Tilatte avvik for måleområde. Gjelder ved +20°C				
General tolerances if not other stated on drawing	Permissible deviations for basic length size range. Valid +20°C				
	0-20	>20-75	>75-150	>150-300	>300
	±0,5mm	±1mm	±1,5mm	±1,3%	±1%

Constructed by - date	Evaluated by	Approved by - date	General Tolerances	Finish, Ra	View	Scale
GEP 13.12.2023	GEP	04.06.2026	NS-ISO 2768-1	PE		1:20
Owner		Titel/Description		Revision	Sheet size	Sheet
		12005 - CPX 2200L Black		B	A3	1(2)
Drawing number						
1423 - 314						



Generelle toleranser om ikke annet er oppgitt på tegning	Tilatte avvik for måleområde. Gjelder ved +20°C				
General tolerances if not other stated on drawing	Permissible deviations for basic length size range. Valid +20°C				
	0-20	>20-75	>75-150	>150-300	>300
	±0,5mm	±1mm	±1,5mm	±1,3%	±1%

Constructed by - date	Evaluated by	Approved by - date	General Tolerances	Finish, Ra	View	Scale
GEP 13.12.2023	GEP	04.06.2026	NS-ISO 2768-1	PE		1:20
Owner			Titel/Description			
			12005 - CPX 2200L Black			
Drawing number			Revision	Sheet size	Sheet	
1423 - 314			B	A3	2(2)	