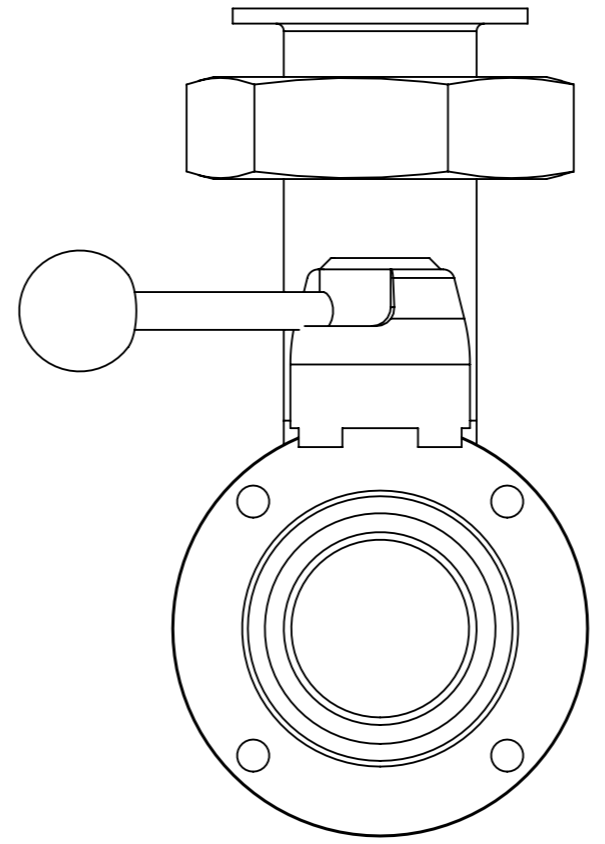
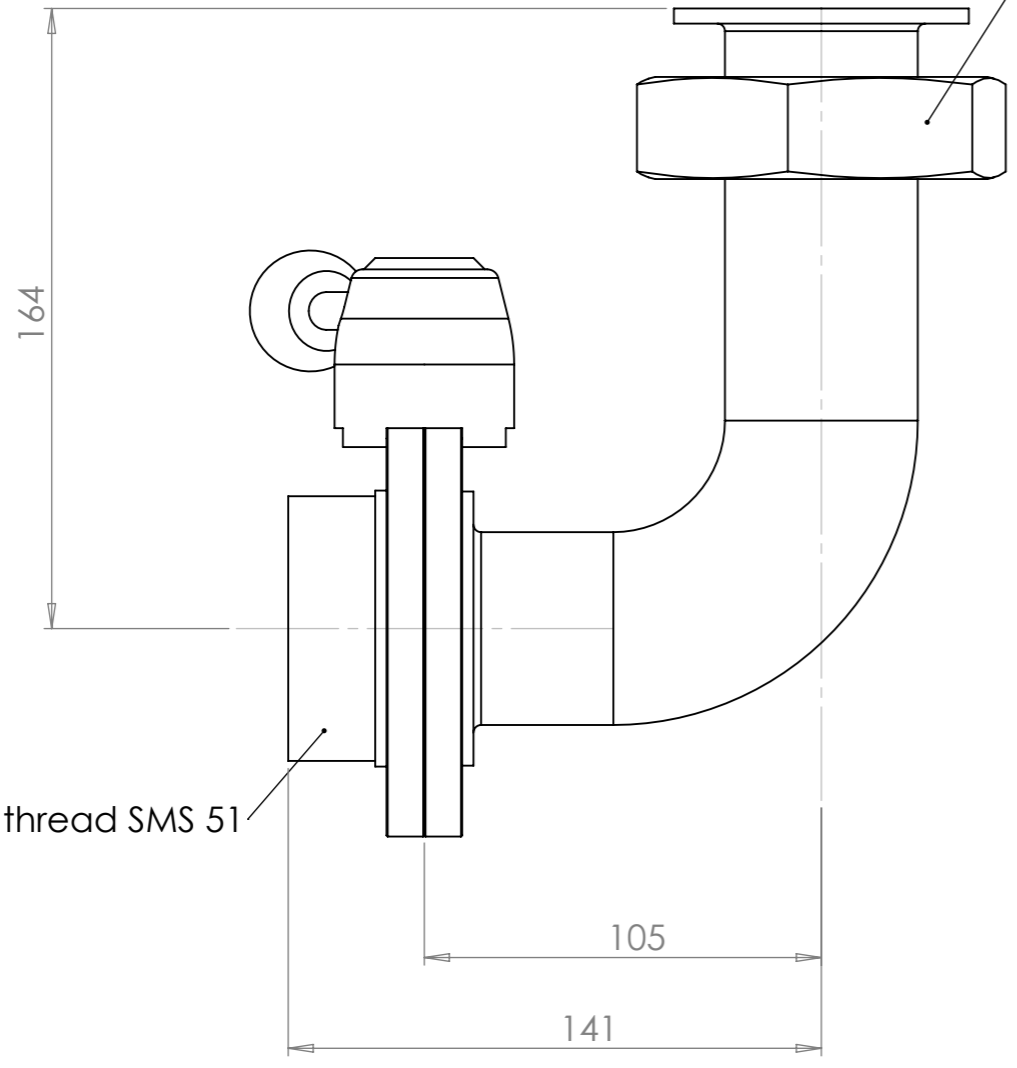
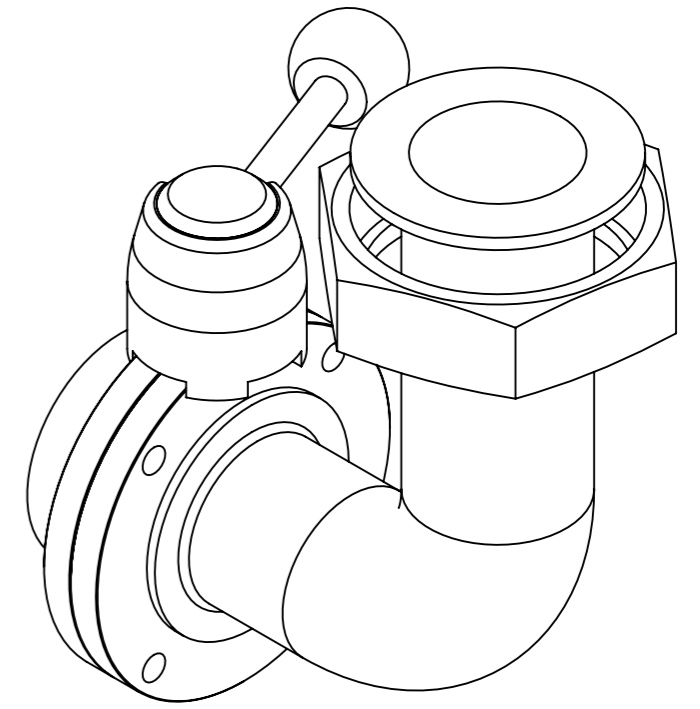


Nut internal thread G 2 3/4"



External thread SMS 51



Material: Syrafast

This drawing and design is the property of Cipax. Copying and distribution of the drawing or any contents is prohibited without written permission from authorised personal at Cipax

| | | | | | | |
|--------------------------------|--------------------------|---|------------------------------------|---------------------------|-----------------|---------------------|
| Konstruerad av SE | Granskad av SE | Godkänd av - datum - 2013-06-25 | Generell tolerans SS-ISO 2768-1 | Generell Ytjämnhet, Ra | Vyplacering | Skala 1:5 |
| Ägare | | Titel/Benämning Tankventil SMS 51 63035 | | | | |
| Ritningsnummer 63035 | | | Utgåva | Blad 1(1) | | |