

# RXM 3/20 Pedrollo Rostfri vortex länsnpump

Artikelnr	Beteckning
100007	RXM 3/20:0,55/1x230/G32

## Installation

Vikt	7,2 kg
Styrning	Nivåvippa
Ansl. ut	G32 inv

## Övrigt

Max Tryck	10 mVp
Max Flöde	240,0 l/min

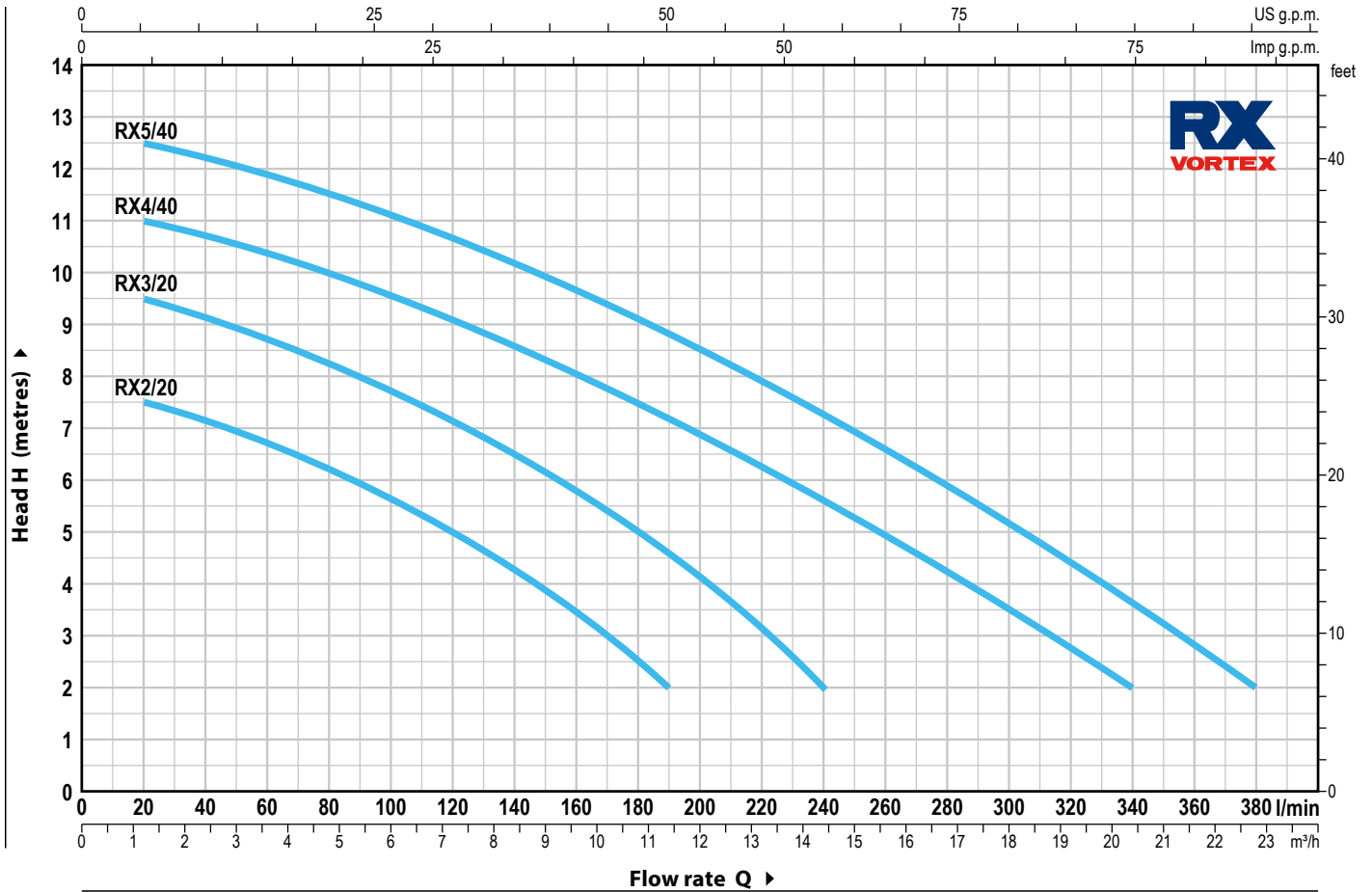
## Elektrisk Data

Effekt	0,55 kW
Märkström	3,2 A
Spänning	1x230
Kabellängd	5 m



**CHARACTERISTIC CURVES AND PERFORMANCE DATA**

**50 Hz n= 2900 min<sup>-1</sup>**



MODEL		POWER (P <sub>2</sub> )		Q	H metres																	
Single-phase	Three-phase	kW	HP		m <sup>3</sup> /h	0	1.2	2.4	3.6	4.8	6	7.2	8.4	9.6	11.4	13.2	14.4	20.4	22.8			
				l/min	0	20	40	60	80	100	120	140	160	190	220	240	340	380				
RXm 2/20	RX 2/20	0.37	0.50	H metres	8	7.5	7.1	6.7	6.2	5.7	5	4.3	3.4	2								
RXm 3/20	RX 3/20	0.55	0.75		10	9.5	9.1	8.7	8.2	7.7	7.1	6.5	5.8	4.6	3.2	2						
RXm 4/40	RX 4/40	0.75	1		11.2	11	10.7	10.4	10	9.5	9	8.5	8	7.1	6.2	5.6	2					
RXm 5/40	RX 5/40	1.1	1.5		13	12.5	12.2	11.9	11.5	11.1	10.6	10.1	9.6	8.8	7.9	7.3	3.6	2				

Q = Flow rate H = Total manometric head

Tolerance of characteristic curves in compliance with EN ISO 9906 Grade 3B.

**POS. COMPONENT CONSTRUCTION CHARACTERISTICS**

<b>1 PUMP BODY</b>	Stainless steel AISI 304 with threaded port in compliance with ISO 228/1
<b>2 SUCTION FILTER</b>	Stainless steel AISI 304
<b>3 DIFFUSER</b>	Stainless steel AISI 304
<b>4 IMPELLER</b>	Stainless steel AISI 304 VORTEX type
<b>5 MOTOR CASING</b>	Stainless steel AISI 304
<b>6 MOTOR CASING PLATE</b>	Stainless steel AISI 304
<b>7 MOTOR SHAFT</b>	Stainless steel AISI 431

**8 SHAFT WITH DOUBLE SEAL AND OIL CHAMBER**

<i>Seal</i>	<i>Shaft</i>	<i>Materials</i>		
<i>Model</i>	<i>Diameter</i>	<i>Stationary ring</i>	<i>Rotational ring</i>	<i>Elastomer</i>
<b>STA-12R SIC</b>	<b>Ø 12 mm</b>	Ceramic	Silicon carbide	NBR

**9 LIP SEAL**                    **Ø 12 x Ø 19 x H 5 mm**

**10 BEARINGS**                    **6201 ZZ / 6201 ZZ**

**11 CAPACITOR**

<i>Pump</i>	<i>Capacitance</i>	
<i>Single-phase</i>	<i>(230 V or 240 V)</i>	<i>(110 V)</i>
<b>RXm 2/20</b>	<b>10 µF 450 VL</b>	<b>16 µF - 250 VL</b>
<b>RXm 3/20</b>	<b>14 µF 450 VL</b>	<b>16 µF - 250 VL</b>

**12 ELECTRIC MOTOR**

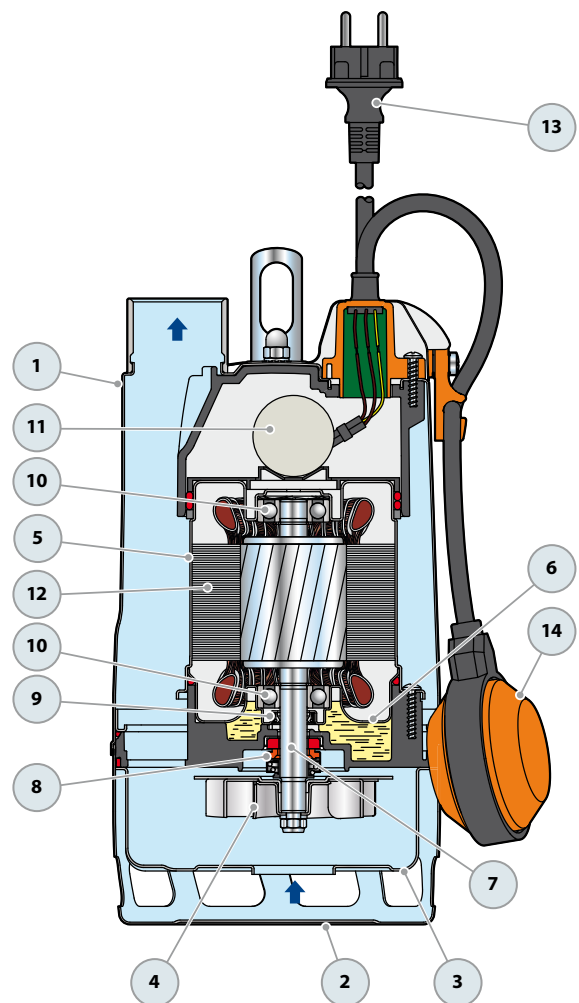
**RXm:** single-phase 230 V - 50 Hz  
with thermal overload protector incorporated into the winding  
**RX:** three-phase 400 V - 50 Hz  
– Insulation: class F  
– Protection: IP X8

**13 POWER CABLE**

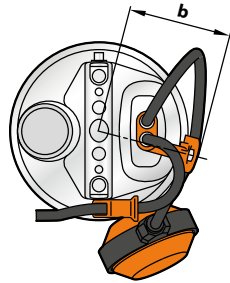
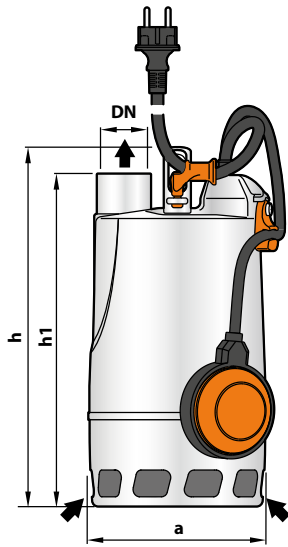
"H07 RN-F" type  
(with Schuko plug for single-phase versions only)  
**Standard length 5 metres**

**14 FLOAT SWITCH**

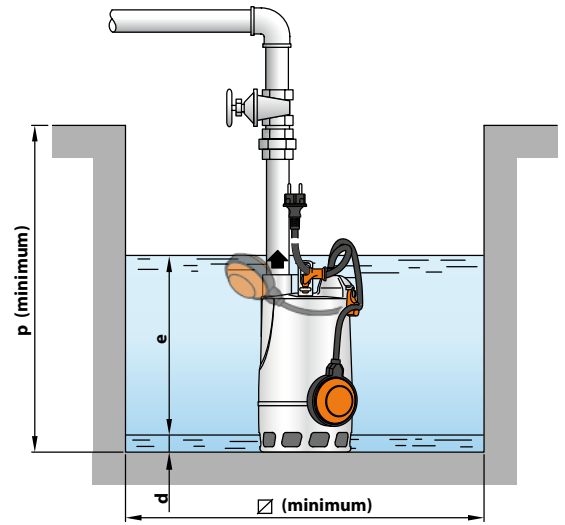
(Only for single-phase versions)



## DIMENSIONS AND WEIGHT

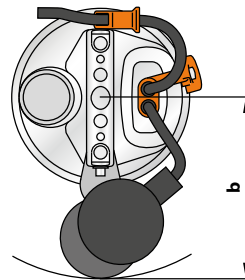
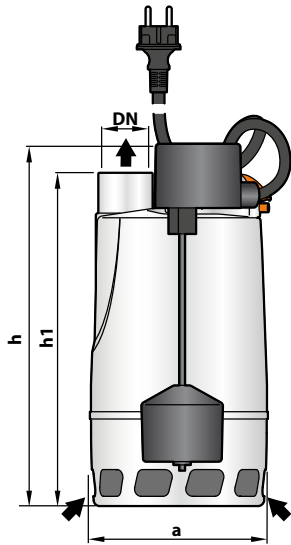


Standard installation

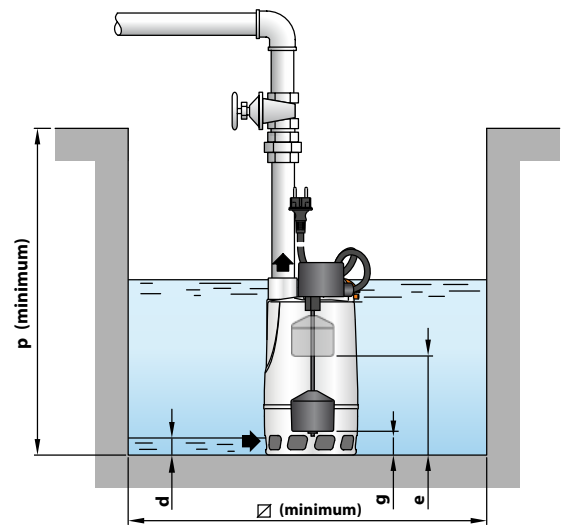


MODEL		PORT	DIMENSIONS mm								kg		PALLETIZATION	
Single-phase	Three-phase	DN	a	b	h	h1	d	e	p	Ø	1~	3~	GROUPAGE n. pumps	CONTAINER n. pumps
RXm 2/20	RX 2/20	1 1/4"	147	83	302	278	25	variable	350	350	6.2	5.8	96	144
RXm 3/20	RX 3/20				330	308								

Version with vertical float switch



Standard installation



MODEL	PORT	DIMENSIONS mm									kg	PALLETIZATION	
Single-phase	DN	a	b	h	h1	d	e	g	p	Ø	1~	GROUPAGE n. pumps	CONTAINER n. pumps
RXm 2/20-GM	1 1/4"	147	150	300	278	25	180	50	350	240	6.3	96	144
RXm 3/20-GM				335	308		210	80					

## ABSORPTION

MODEL	VOLTAGE		
Single-phase	230 V	240 V	110 V
RXm 2/20	2.6 A	2.5 A	5.2 A
RXm 3/20	3.5 A	3.4 A	6.4 A

MODEL	VOLTAGE			
Three-phase	230 V	400 V	240 V	415 V
RX 2/20	1.9 A	1.1 A	1.9 A	1.1 A
RX 3/20	2.9 A	1.7 A	2.8 A	1.6 A

**POS. COMPONENT CONSTRUCTION CHARACTERISTICS**

<b>1 PUMP BODY</b>	Stainless steel AISI 304 with threaded port in compliance with ISO 228/1
<b>2 SUCTION FILTER</b>	Stainless steel AISI 304
<b>3 DIFFUSER</b>	Stainless steel AISI 304
<b>4 IMPELLER</b>	Stainless steel AISI 304 VORTEX type
<b>5 MOTOR CASING</b>	Stainless steel AISI 304
<b>6 MOTOR CASING PLATE</b>	Stainless steel AISI 304
<b>7 MOTOR SHAFT</b>	Stainless steel AISI 431

**8 SHAFT WITH DOUBLE MECHANICAL SEAL SEPARATED BY AN OIL CHAMBER**

<i>Seal Model</i>	<i>Shaft Diameter</i>	<i>Position</i>	<i>Materials</i>		
			<i>Stationary ring</i>	<i>Rotational ring</i>	<i>Elastomer</i>
<b>MG1-14D SIC</b>	<b>Ø 14 mm</b>	Motor side	Silicon carbide	Graphite	NBR
		Pump side	Silicon carbide	Silicon carbide	NBR

**9 BEARINGS 6203 ZZ-C3E / 6203 ZZ-C3E**

**CAPACITOR**

<i>Pump</i>	<i>Capacitance</i>
<b>10 Single-phase</b>	<b>(230 V or 240 V)</b>
<b>RXm 4/40</b>	<b>20 µF 450 VL</b>
<b>RXm 5/40</b>	<b>25 µF 450 VL</b>

**11 ELECTRIC MOTOR**

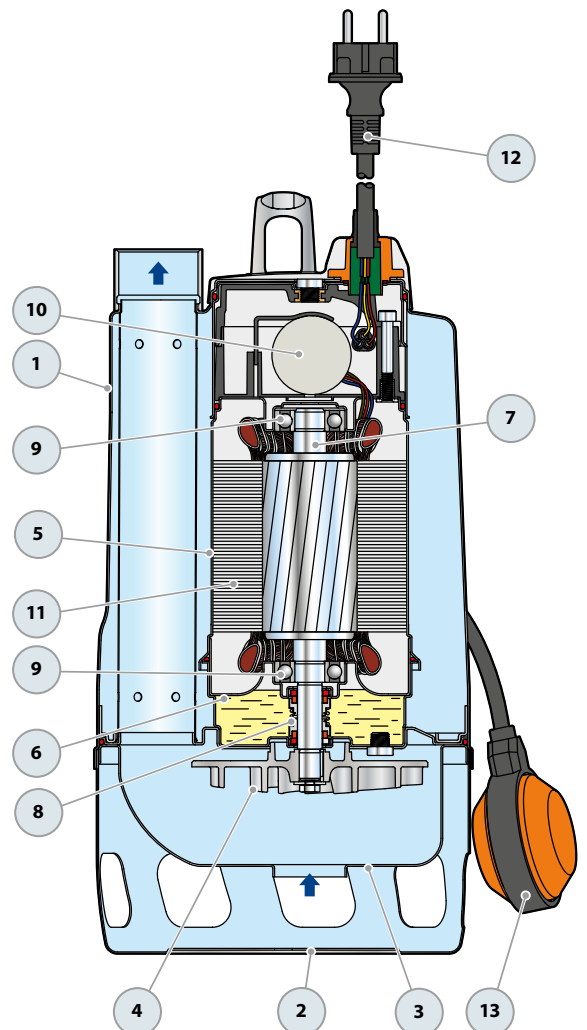
**RXm:** single-phase 230 V - 50 Hz  
with thermal overload protector incorporated into the winding  
**RX:** three-phase 400 V - 50 Hz  
– Insulation: class F  
– Protection: IP X8

**12 POWER CABLE**

“H07 RN-F” type  
(with Schuko plug for single-phase versions only)  
**Standard length 10 metres**

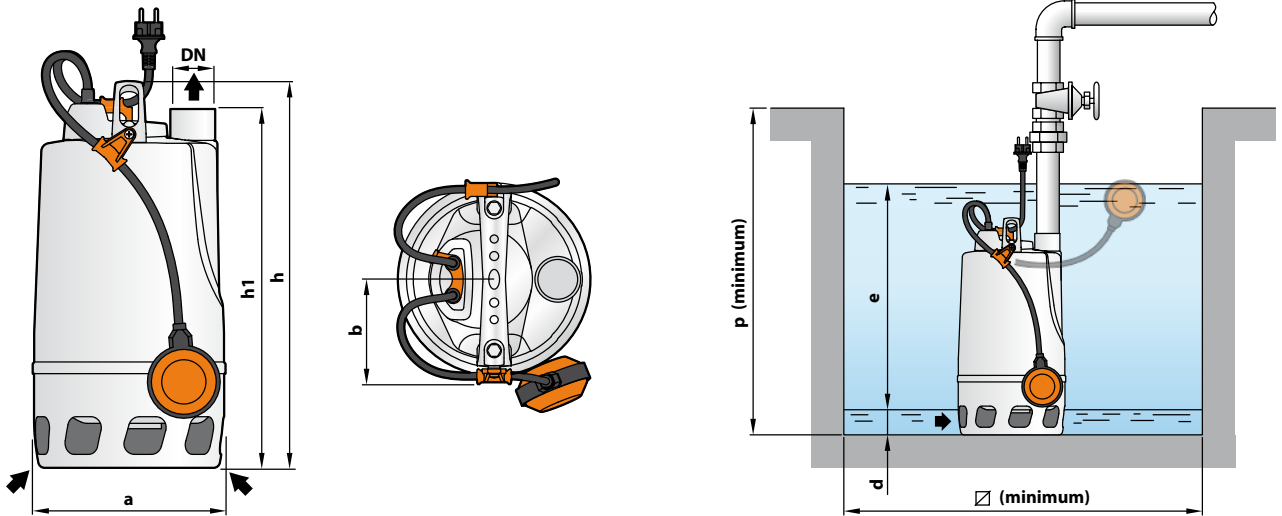
**13 FLOAT SWITCH**

Only for single-phase versions  
(Vertical float switch in the GM versions).



## DIMENSIONS AND WEIGHT

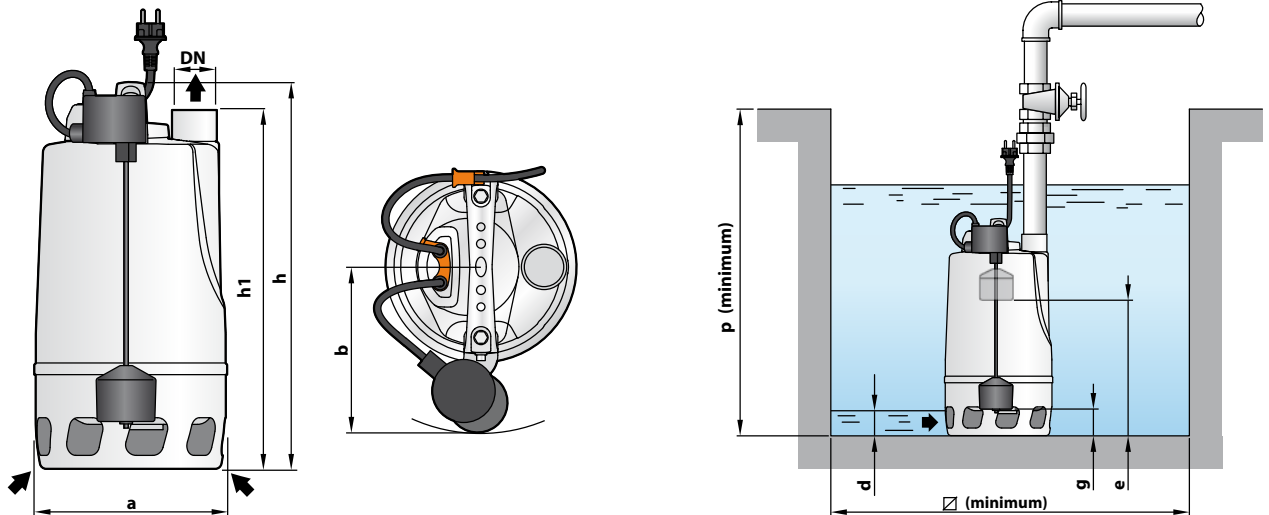
Standard installation



MODEL		PORT	DIMENSIONS mm								kg		PALLETIZATION	
Single-phase	Three-phase	DN	a	b	h	h1	d	e	p	Ø	1~	3~	GROUPAGE n. pumps	CONTAINER n. pumps
RXm 4/40	RX 4/40	1½"	215	115	433	400	50	variable	500	500	14.8	13.9	45	60
RXm 5/40	RX 5/40										16.0	15.1	45	60

Version with vertical float switch

Standard installation



MODEL	PORT	DIMENSIONS mm									kg	PALLETIZATION	
Single-phase	DN	a	b	h	h1	d	e	g	p	Ø	1~	GROUPAGE n. pumps	CONTAINER n. pumps
RXm 4/40 - GM	1½"	215	186.5	433	400	50	320	80	500	350	15.2	36	48
RXm 5/40 - GM											16.3	36	48

## ABSORPTION

MODEL	VOLTAGE	
Single-phase	230 V	240 V
RXm 4/40	5.2 A	5.0 A
RXm 5/40	6.5 A	6.5 A

MODEL	VOLTAGE			
Three-phase	230 V	400 V	240 V	415 V
RX 4/40	3.6 A	2.1 A	3.5 A	2.0 A
RX 5/40	5.4 A	3.1 A	5.2 A	3.0 A