

1

2

3

4

5

6

7

8

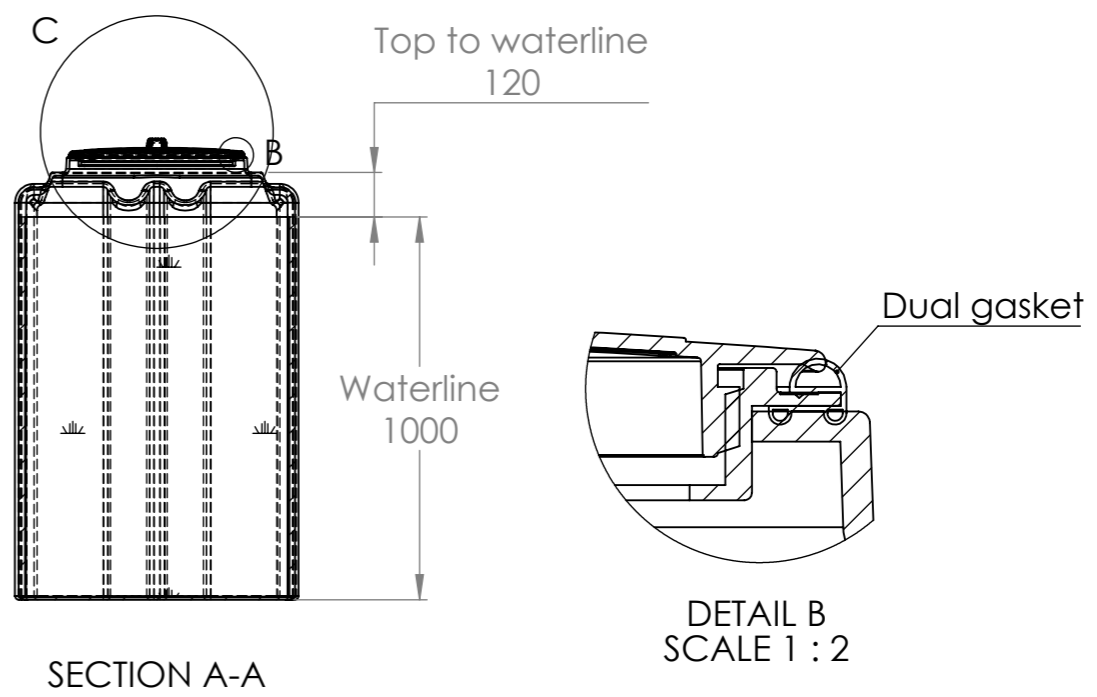
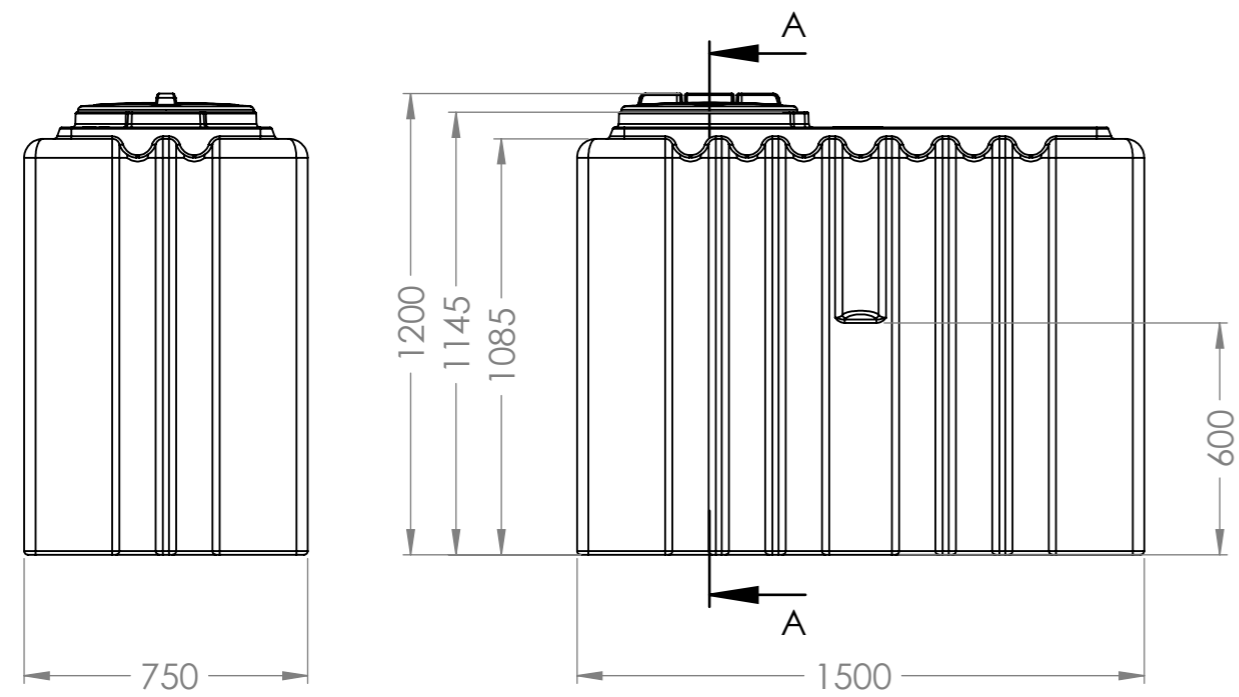
REVISIONS

ZONE	REV.	DESCRIPTION	DATE	APPROVED
	3	Product measurements adjusted	29.09.2023	GEP

A

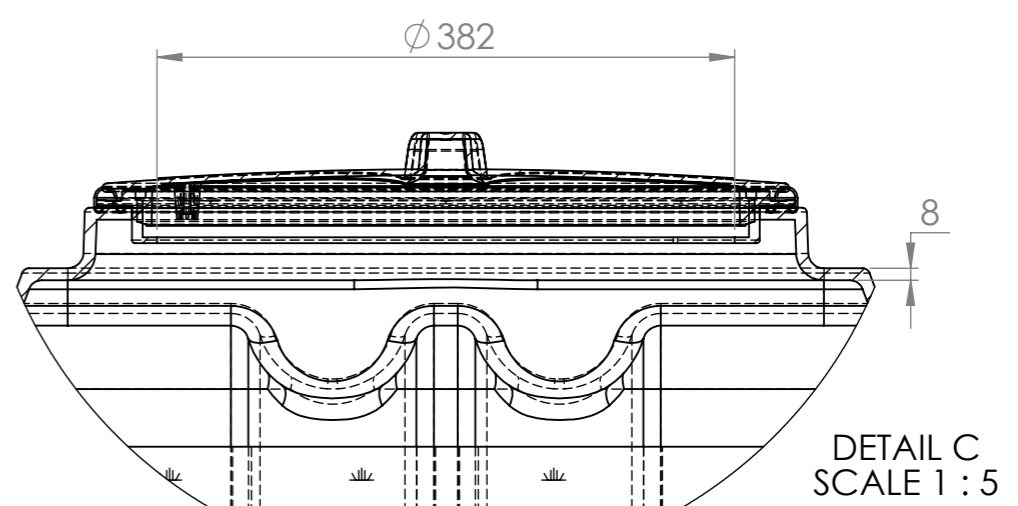
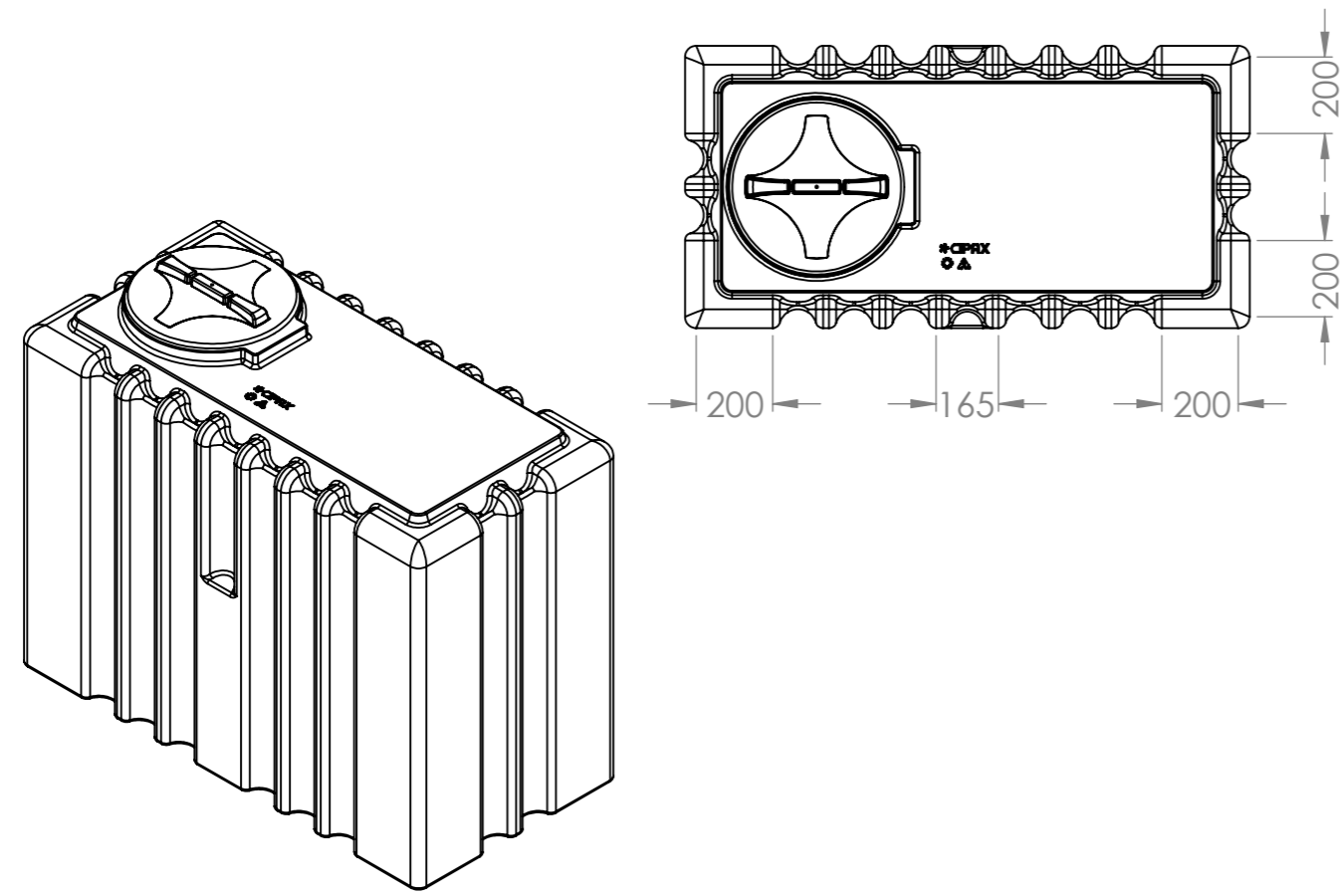
B

C



D

E



Generelle toleranser om ikke annet er oppgitt på tegning	Tilatte avvik for måleområde. Gjelder ved +20°C				
	Permissible deviations for basic length size range. Valid +20°C				
General tolerances if not other stated on drawing	0-20	>20-75	>75-150	>150-300	>300
	±0,5mm	±1mm	±1,5mm	±1,3%	±1%

Constructed by - date	Evaluated by	Approved by - date	General Tolerances	Finish, Ra	View	Scale
GEP 20.04.2023			NS-ISO 2768-1	PEHD		1:20
Owner		Titel/Description		Revision	Sheet size	Sheet
		21000 - CPX container 1000L rectangular		3	A3	1
Drawing number						
1403 - 314						

1

2

3

4

5

6

7

8