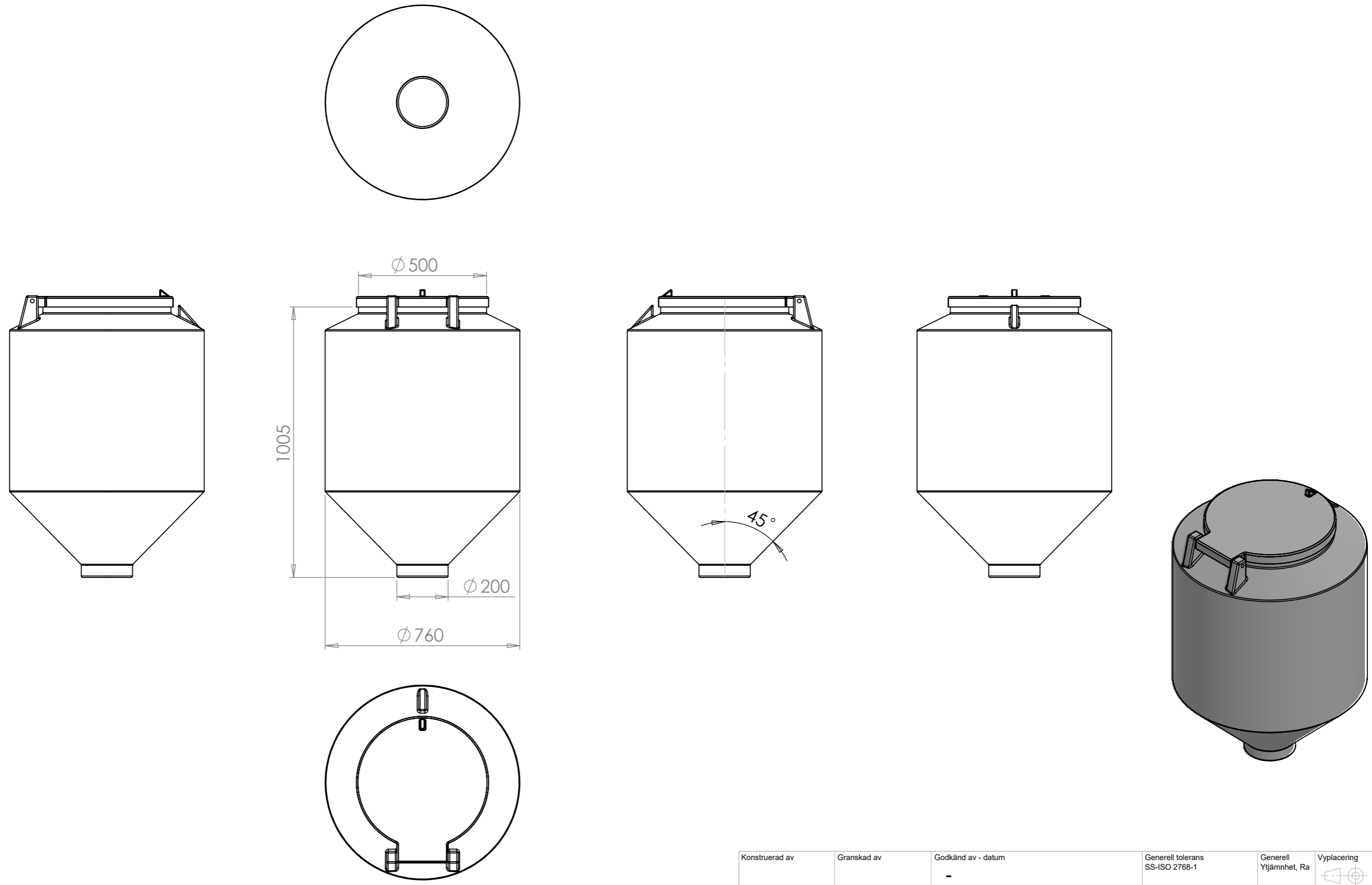


This drawing and design is the property of Cipax.  
 Copying and distribution of the drawing or any contents  
 is prohibited without written permission from authorised  
 personal at Cipax

| Revision |                    |       |         |
|----------|--------------------|-------|---------|
| REV.     | Ändringsmeddelande | Datum | Godkänd |



|                |             |                          |                                    |                           |             |       |
|----------------|-------------|--------------------------|------------------------------------|---------------------------|-------------|-------|
| Konstruerad av | Granskad av | Godkänd av - datum       | Generell tolerans<br>SS-ISO 2768-1 | Generell<br>Ytjämnhet, Ra | Vyplacering | Skala |
|                |             | -                        |                                    |                           |             | 1:20  |
| Ägare          |             | Titel/Benämning          |                                    |                           |             |       |
|                |             | CPX Silo 300L cylindrisk |                                    |                           |             |       |
| Ritningsnummer |             |                          |                                    | Utgåva                    | Blad        |       |
| 40802          |             |                          |                                    | A                         | 1(1)        |       |